



HDMI 1x4 HDBT Splitter Extender Kit 120m, 4K/60

500424-V2



Overview

The HDMI 1x4 HDBT Splitter Extender Kit 120m, 4K/60 (model: 500424-V2) enables HDMI 2.0 connectivity at data rates up to 18Gbps & extends 4K/60 up to 120m (394ft) and 1080p up to 150m (492ft) over standard Cat6/6a/7 UTP cable. The splitter features HDMI input & loop out, bidirectional IR, analog & digital audio de-embedding, four HDBT output ports and RS-232 pass-through. The four receivers features HDMI output, bidirectional IR, digital audio de-embedding, HDBT input port and RS-232 pass-through. The device also supports 24VDC PoC delivery to the receiver.

The HDMI 1x4 HDBT Splitter Extender Kit 120m, 4K/60 support IR and RS232 signal pass-through, audio de-embedding function and advance EDID management.

Applications

- Conference Rooms
- Classroom Projector Systems
- Collaborative PC Systems
- Digital Signage
- Educational Institutions
- Boardroom Systems

Key Features

- HDMI 2.0, HDCP 2.3 and HDCP 1.4 compliant
- Supports 18Gbps video bandwidth
- Supports video resolution up to 4K/60Hz 4:4:4
- Supports HDR, HDR10+, HLG and Dolby Vision
- Supports up to 7.1 channels audio pass-through
- Supports digital and analog audio de-embedded output
- Advanced EDID management
- Supports one way PoC function (Power over Cable)
- Compact design for easy and flexible installation

Specification

Technical

Protocol Compliance	HDMI 2.0 and HDCP 2.2 & 1.4
Transmission Rate	Up to 594MHz/18Gbps
Video Resolution	Up to 4K/60Hz (4:4:4)
Transmission Distance	4K/60 up to 120m/394ft and 1080p up to 150m/492ft over CAT6/6a/7 (F/FTP) cable
IR Frequency	Wideband 20KHz to 60KHz
Color Space	RGB, YCbCr 4:4:4, YCbCr 4:2:2 and YCbCr 4:2:0
Color Depth	8, 10, 12 bit
HDR Standard	HDR, HDR10, HDR10+, HLG and Dolby Vision
HDMI Audio Format	LPCM up to 7.1 channels, Dolby up to Dolby TrueHD and DTS up to DTS HD Master
Digital Audio Format	LPCM 2.0, Dolby Digital / Plus, DTS 2.0 & 5.1
Analog Audio Format	LPCM 2.0 Channels

Connection

Splitter	Input: 1 × HDMI Input [HDMI Type A, 19-pin female] Output: 1 × HDMI Loopout [HDMI Type A, 19-pin female] 1 × HDBT Output [RJ45, 8-pin female] 1 × Digital Audio Output [RCA female] 1 × Balanced Audio Output [5pin-3.5mm Phoenix Connector] Control: 1 × RS232 [3pin-3.5mm Phoenix Connector] 1 × EDID [5-pin DIP Switches] 1 × IR Input [3.5mm stereo mini jack] 1 × IR Output [3.5mm stereo mini jack]
Receiver	Input: 1 × HDBT Input [RJ45, 8-pin female] Output: 1 × HDMI Output [HDMI type A, 19-pin female] 1 × Digital Audio Output [RCA Female female] Control 1 × IR Input [3.5mm stereo mini jack] 1 × IR Output [3.5mm stereo mini jack] 1 × RS232 [3pin-3.5m phoenix connector] 1 × Service [USB-C female]

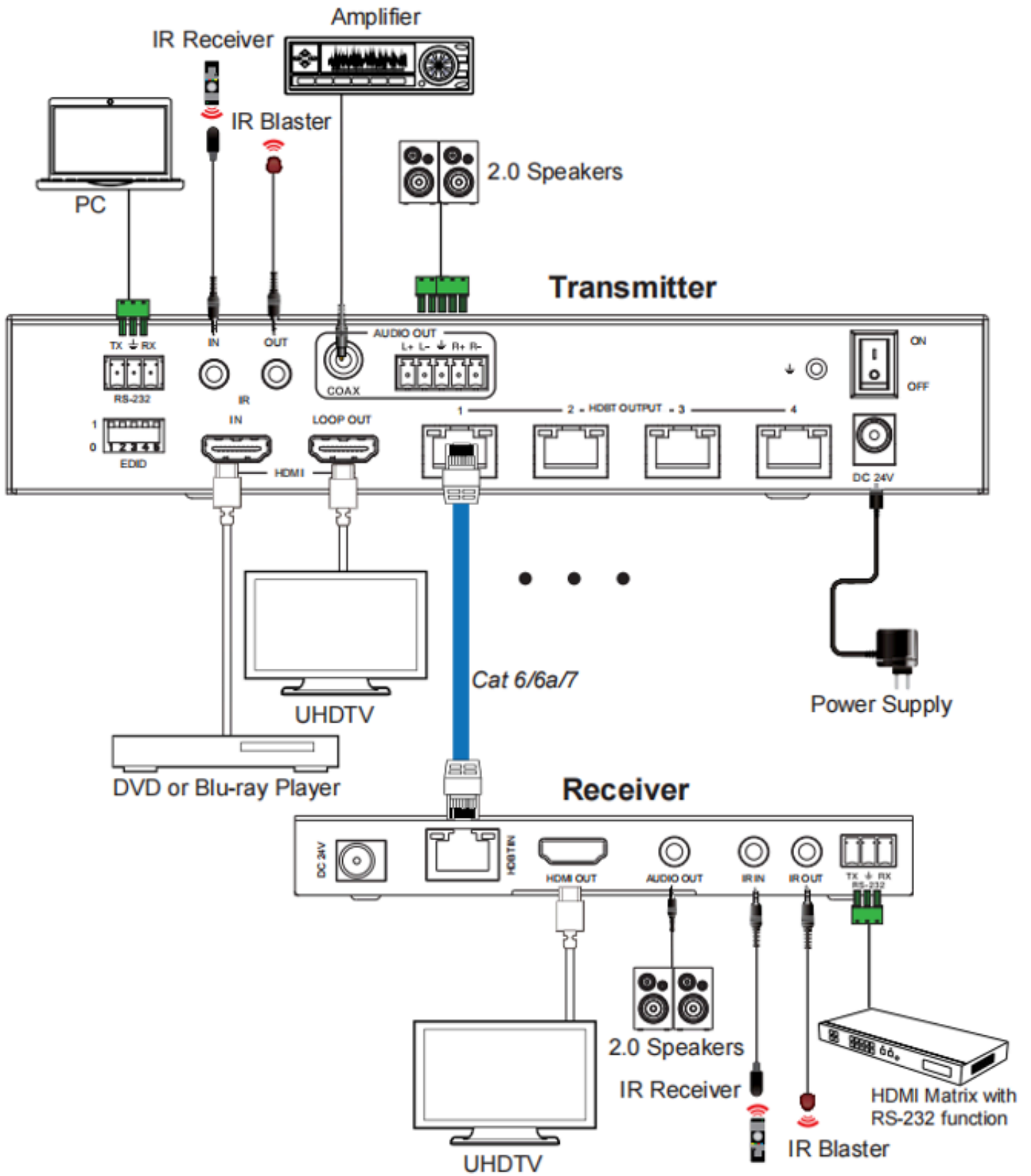
Mechanical

Housing	Metal Enclosure
Color	Black
Dimensions	Splitter: 220mm [W] × 130mm [D] × 40mm [H] Receiver: 140mm [W] × 65mm [D] × 18mm [H]
Weight	Splitter: 853g, Receiver: 246g
Power Supply	Input: 100~240VAC 50/60Hz Output: 24VDC/2.7A
Power Consumption	35W
Operating Temperature	0°C ~ 40°C / 32°F ~ 104°F
Storage Temperature	-20°C ~ 60°C / -4°F ~ 140°F
Relative Humidity	20~90% RH (non-condensing)

Generic Specification

Warranty	2 years
Order Information	500424-V2 HDMI 1x4 HDBT Splitter Ext. Kit 120m, 4K/60 (UPC: 627699004241)

Application Example



HDMI 1x4 Splitter Extender Kit 120m, 4K/60
500424-V2

Follow us:    

2321 Cohen | St-Laurent, H4R 2N7 | Québec, Canada Tel: 514-905-0588 | Fax:
514-905-0589 | Toll free: 1-877-689-5228 info@muxlab.com |
salesteam@muxlab.com | www.muxlab.com