

HDMI to 3G-SDI Converter/Scaler

500743



Overview

HDMI to 3G-SDI Converter/Scaler (Model 500743) is an HDMI to 3G-SDI Processor with Video Scaling, Amplification and Re-clocking Technology. It performs high-quality, low-delay video auto format detection, video signal re-clocking, and video signal amplification for transmission over a long distance. It features one HDMI video input, dual 3G-SDI video output, a locking Power Supply connector, and a USB port for software control and firmware upgrade. Switches and LED indicators help control and show the status of different parameters.

Applications

- Video production & Broadcasting
- Studio-to-studio & Post production
- Outside broadcasting vehicle
- Mobile video & Live events
- HDMI Camcorders
- Medical imaging

Key Features

- HDMI to SDI Conversion
- Up/Down Video Resolution Conversion
- Multi-Standard Support (3G, HD, and SD-SDI)
- Supports up to 1080p
- Supports Two 3G-SDI Video outputs
- Easy plug and play installation
- Rugged design and integrated brackets for easy mounting

Specifications

Technical

Environment	HDMI 1.3, SDI (SD-SDI, HD-SDI & 3G-SDI) (2.970Gbps, 1.485Gbps & 270Mbps)	
Audio Support	Stereo 2-Channel	
Coaxial Cable Type	IRG6 (CANARE L-5CFB Cable) or RG59 (Belden 9275 Cable)	
Cable length	3G: 120m on RG6 100m on RG59 HD: 200m on RG6 140m on RG59 SD: 400m on RG6 280m on RG59	
Mini-USB	Software Control and Firmware Update	

Connections

Input	HDMI	1 x HDMI IN [Type A, 19-pin female]
Outputs	SDI	2 x 3G-SDI connector [High speed BNC female]
Control	USB	1 x USB HOST [Mini-USB]
Power	Barrel Jack	7.5Vdc to 15Vdc with locking connector
LEDs	SD LED (NTSC/PAL) HD LED (720p, 1080i/p) 3G LED (1080p50, p60) HDCP LED	
Push Button Switches	Output Resolutions toggling (Bypass, 720x480, 720x576, 1280x720, 1920x1080) Output Frame Rate (24, 25, 30, 50, 60 fps interlaced or progressive) Output Frame Rate Fraction (23.98, 29.97, 59.94 fps)	

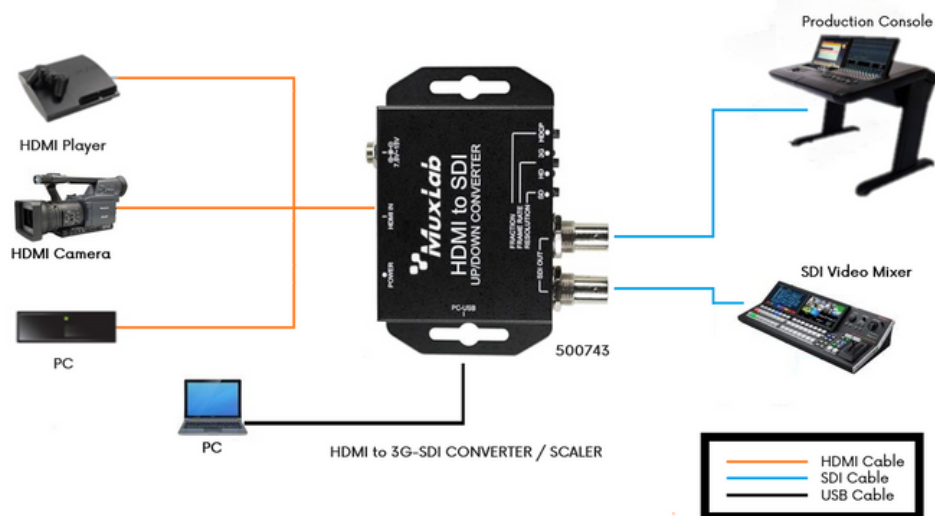
Mechanical

Housing	Black Metal Enclosure
Dimensions (WxDxH)	104mm x 63.3mm x 26mm
Weight	500g
Power	7.5 Vdc to 15 Vdc, 5-Watt max.
Temperature	Operating: 32°F to 104°F / 0°C to 40°C, Storage: -4°F to 140°F / -20°C to 60°C
Relative Humidity	20% to 90% RH (non-condensing)

Generic Specifications

Warranty	2 years
Order Information	500743 HDMI to 3G-SDI Video Converter with Scaler (UPC:627699007433)

Application Diagram



HDMI to 3G-SDI Converter/Scaler
500743

Follow us:    

2321 Cohen | St-Laurent, H4R 2N7 | Québec, Canada
Tel: 514-905-0588 | Fax: 514-905-0589 | Toll free: 1-877-689-5228
info@muxlab.com | salesteam@muxlab.com | www.muxlab.com

DS-500743