

Specifications

Environment	Custom audio-video systems in a structured cabling environment.
Application	Head-end installations, audio-video rooms, telecom rooms.
Capacity	Sixteen (16) positions.
Compatible product	MuxLab products measuring: 6.4"x5.3"x0.8" (16.2x13.5x2.2cm).
Orientation	Baluns may be installed front or rear facing.
Lock-in mechanism	Special brackets to hold the transceivers into position via front screws.
Rack height	4.5U (7.87"), 19" rack
Enclosure	Black painted steel.
Mounting holes	Sixteen (16) rackmounting holes
Mounting hardware	Four (4) rackmounting 10-32 screws and washers are included. Thirty-two (32) Transceiver Brackets
Dimensions	19" (W) x 7.75" (H) x 0.5" (D) (48.3 cm x 19.6 cm x 1.2 cm).
Weight	0.9 lbs (0.4 kg).
Standards	EIA/TIA
Warranty	Lifetime
Order Information	500923 16 Port Rackmount Transceiver Chassis 4.5U (UPC: 627699009239) 500924 Blank Filler for 500923 (qty 4) (UPC: 627699009246) 500922 Spare Brackets for 500923 (qty 4) (UPC: 627699009222)

MuxLab

2321 Rue Cohen, Montreal, Quebec, Canada, H4R 2N7
Tel.: (+1) 514-905-0588 Fax: (+1) 514-905-0589
Toll Free (North America): 1 877 689-5228
E-mail: info@muxlab.com URL: www.muxlab.com

94-000997-A

SE-000997-A



16 Port Rackmount Transceiver Chassis 4.5U (500923)

Installation Guide

Introduction

The 16 Port Rackmount Transceiver Chassis 4.5U is designed as a head-end cable management solution, allowing any combination of up to sixteen (16) MuxLab Transceivers to be installed in a standard 19" telecom relay rack. Head-end AV equipment such as DVD players, video servers and cable boxes may be installed in a local wiring closet and connected to the Cat5e/6 structured cabling system via a wide array of MuxLab Transceiver solutions.

The Transceiver may be installed in either front or rear-facing orientation depending on the application. At the display end, the appropriate MuxLab Transceivers are installed at the receivers to support a fully Cat5e/6 cabling solution. Each Transceiver can be mounted and secured into place with screws & brackets. The 16 Port Rackmount Transceiver Chassis 4.5U (500923) includes 32 brackets to mount 16 transceivers. Blank filler plates can be ordered separately in quantities of four (4) (P/N: 500924). In case of misplaced brackets, spare brackets can be ordered separately in quantities of four (4) (P/N: 500922) for mounting two (2) transceivers to the rack.

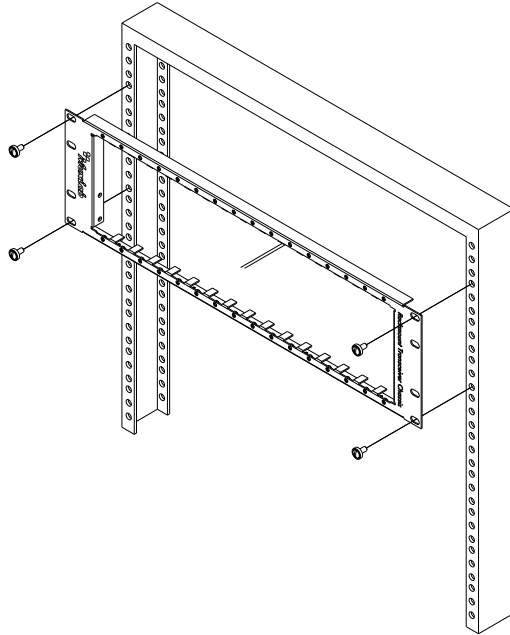
Before installing, please make sure you have all the parts. The package includes (1) a 19" rack, (2) thirty-two brackets for mounting all 16 transceivers, (3) four 10-32 screws and washers, (4) this manual.

Installation

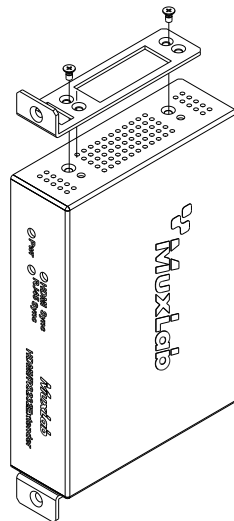
In order to install the 16 Port Rackmount Transceiver Chassis 4.5U (500923), perform the following steps:

1. Identify the final location of the 16 Port Rackmount Transceiver Chassis 4.5U.

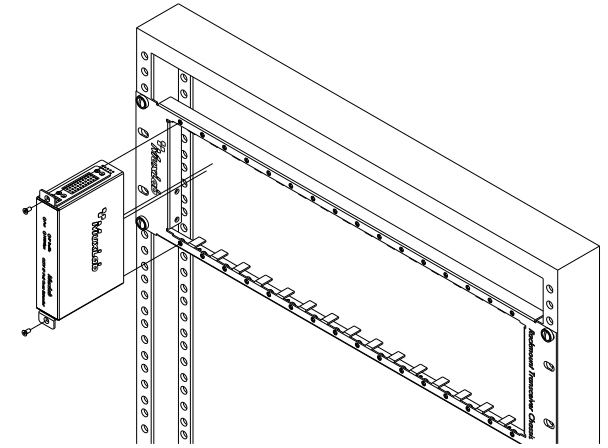
2. Install the 16 Port Rackmount Transceiver Chassis 4.5U in the 19" relay rack using the four 10-32 rack screws and nylon washers included with the product.



3. Attach two brackets on the sides of each transceiver. Brackets can use the same screws used on the transceivers. Simply remove the screws on one side of the transceiver, place one bracket and put back the 2 screws. Attach the second bracket in the same way. One black screw 4-40 x 3/8" is supplied with each bracket.



4. Install each transceiver in its appropriate slot. Slide the transceiver into the desired slot from the front of the transceiver Chassis. Secure each transceiver in place with the provided black screws.



5. Empty slots can be blocked with blank filler plates. Blank fillers can be ordered separately using the following Part Number: 500924. The 500924 includes 4 blank filler plates to block up to 4 slots.
6. The transceivers may be installed either front or rear facing. In order to remove each transceiver, remove the front black screws pull out the transceiver in a horizontal direction.
7. Keep all extra hardware, such as extra brackets and screws, for future use. In the case that spare brackets are needed, it can be ordered separately with the P/N 500922. The 500922 includes four (4) brackets to mount 2 transceivers.
8. The following diagram shows a typical application.

