



# MuxMeet Tablet-1 Operation Manual (500821)



## Table of Contents

<b>1. Safety Precautions</b> .....	3
<b>2. Introduction</b> .....	4
<b>3. Features</b> .....	5
<b>4. Package Contents</b> .....	5
<b>5. Appearance and Interface</b> .....	6
<b>6. Specifications</b> .....	7
<b>7. Installation instructions for wall mounting</b> .....	9
<b>8. Typical Application</b> .....	10
<b>9. Maintenance</b> .....	10
<b>10. Troubleshooting</b> .....	11

## 1. Safety Precautions

To ensure the best performance from the product, please read all instructions carefully before using the device. Save this manual for future reference.

- Follow basic safety precautions to reduce the risk of fire, electrical shock, and injury.
- Do not dismantle the housing or modify the module. It may result in electrical shock or burns.
- Do not open or remove the housing of the device as you may be exposed to dangerous voltage or other hazards.
- To prevent fire or shock hazard, do not expose the unit to rain, moisture and do not install this product near water. Keep the product away from liquids.
- Spillage into the housing may result in fire, electrical shock, or equipment damage. If an object or liquid falls or spills on the housing, unplug the module immediately.
- Do not use liquid or aerosol cleaners to clean this unit. Always unplug the power to the device before cleaning.
- Using supplies or parts not meeting the product specifications may cause damage, deterioration or malfunction.
- Refer all servicing to qualified service personnel.
- Install the device in a place with adequate ventilation to avoid damage caused by overheating.
- Unplug the power when left unused for a long period of time.
- Information on disposal of devices: do not burn or mix with general household waste, please treat them as normal electrical waste.

## Copyright Notice

All contents in this manual are copyrighted, and cannot be cloned, copied, or translated without the express permission of MuxLab Inc. Product specifications and information in this document are for reference only, and the content may be updated from time to time without prior notice.

## 2. Introduction

MuxMeet Tablet-1 (model: 500821) is the ideal tablet for controlling video conferencing platforms and scheduling conference rooms. It features a powerful quad-core processor, 16GB storage capacity, 2GB of RAM, 1280 x 800 high-resolution 10.1-inch touchscreen display, and a modern and ergonomic exterior design that will complement any contemporary environment.

MuxMeet Tablet-1 allows a connection either Wi-Fi or through an Ethernet cable (PoE), allowing with the latter to receive power and communicate through a single cable. Take advantage of a variety of mounting options to install the MuxMeet tablet-1 anywhere in the room by mounting it on a wall using the including bracket or tabletop using the 500824 Adjustable Tablet Stand (Adjustable Tablet Stand sold separately).

MuxMeet Tablet-1 helps the user to implement video conferencing applications in an easy and seamless way thanks to the design and features that provide a secure and reliable experience. MuxMeet Tablet-1 ensures that every room is ready for the next meeting.

### 3. Features

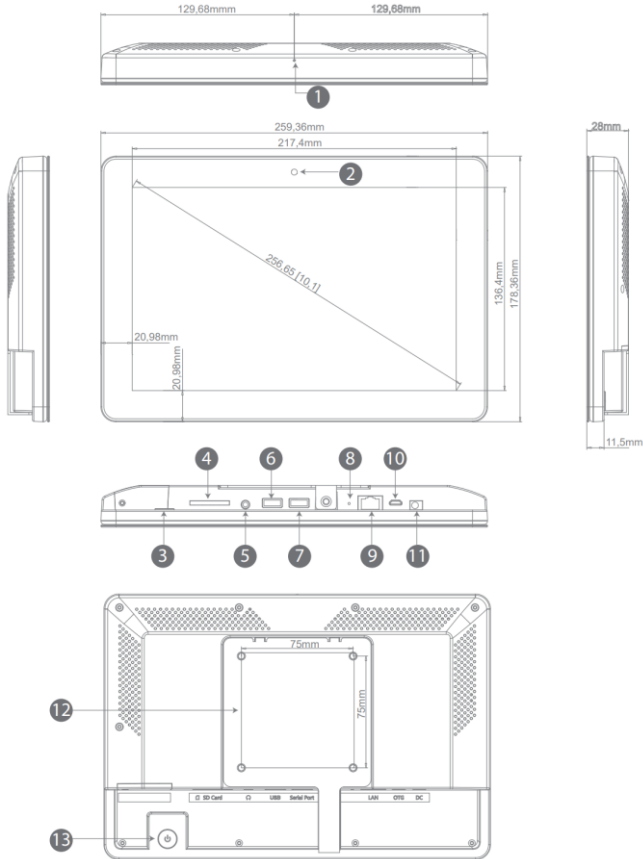
- 10.1” LCD panel resolution 1280\*800
- RK3399 Dual-core A72 + quad-core A53 processor
- 2GB of Ram memory
- 16GB of internal storage memory
- Android 10.0 Operating System
- 10 Point capacitive touch screen
- 5M Pixel Camera
- WiFi 802.11 a/b/g/n
- Ethernet interface (PoE function standard IEEE802.3 at, PoE+, class 4, 25.5W)
- SD card, Max support to 64GB
- USB 3.0 host
- 3.5mm earphone + microphone
- LED light bar with RGB and mixed color
- 2.2W speaker
- VESA: 75x75mm
- Adapter: 12V / 1.5A

### 4. Package Contents

- One (1) MuxMeet Tablet-1
- One (1) Power Supply
- One (1) Wall bracket (with screw)
- One (1) User manual (available via download)

**Notes:** Confirm that the product and accessories are all included. If not, please contact the supplier from which you purchased the unit.

## 5. Appearance and Interface



Item	Function	Item	Function
1	Mic	8	Recovery
2	Camera	9	RJ45 with PoE
3	4G LTE (Optional function)	10	Micro USB OTG
4	SD Card	11	DC in power supply port
5	3.5mm audio jack	12	VESA 75x75mm
6	USB 3.0 host	13	Power button
7	USB for serial (RS232 Level)		

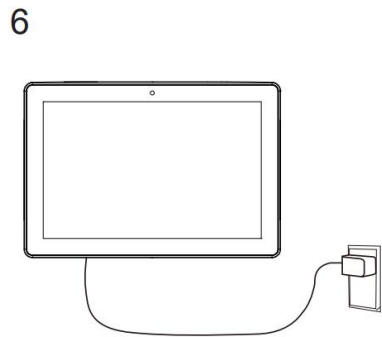
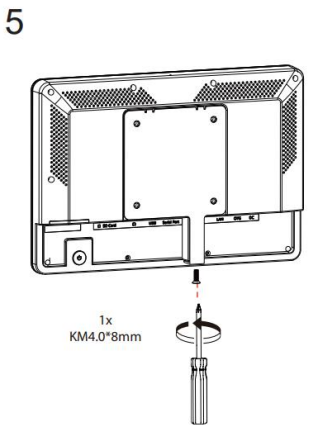
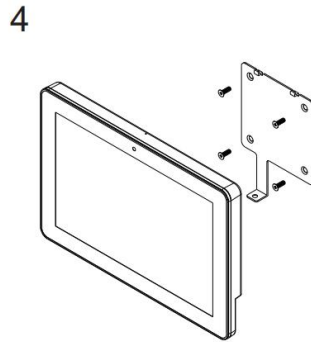
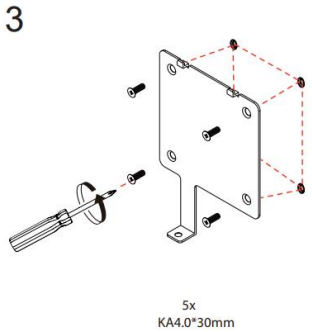
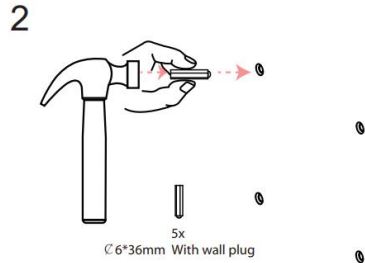
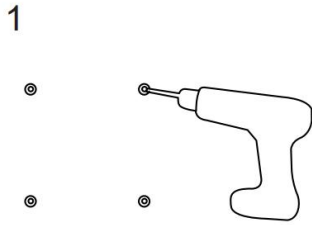
## 6. Specifications

<b>System</b>	
CPU	RK3399, Dual-core A72 + quad-core A53 Processor
RAM	2GB
Internal Memory	16GB
Operation System	Android 10.0
Touch Screen	10-Point capacitive touch
<b>Display</b>	
Panel	10.1"LCD
Resolution	1280x800
Display mode	Normally black
Viewing angle	85/85/85/85 (L/R/U/D)
Contrast ratio	800
Aspect Ratio	16:10
<b>Network</b>	
WiFi	802.11b/g/n
Ethernet	100M/1000M ethernet
Bluetooth	Bluetooth 4.0
<b>Interface</b>	
Card Slot	SD Card
USB	USB 3.0 host
Micro USB	Micro USB OTG
USB	USB for serial (RS 232 format)
RJ45	Ethernet interface (POE function optional IEEE802.3at, POE+, class 4, 25.5W)
Power jack	DC power input
Earphone	3.5mm earphone
<b>Media Play</b>	

Video format	MPEG-1, MPEG-2, MPEG-4, H.265, H.264, VC-1, VP8, VP9, etc., supporting up to 4K
Audio format	MP3, WMA, AAC, etc.
Photo	jpeg
<b>Other</b>	
VESA	75x75 mm
SIM Card	4G LTE (Optional function )
Camera	Front camera 5.0M Pixel
Microphone	Yes
Speaker	2.2W
LED light bar	LED light bar with RGB and mixed color
Language	Multi-language
<b>Accessories</b>	
Adapter	12V/1.5A
User manual	Available via download



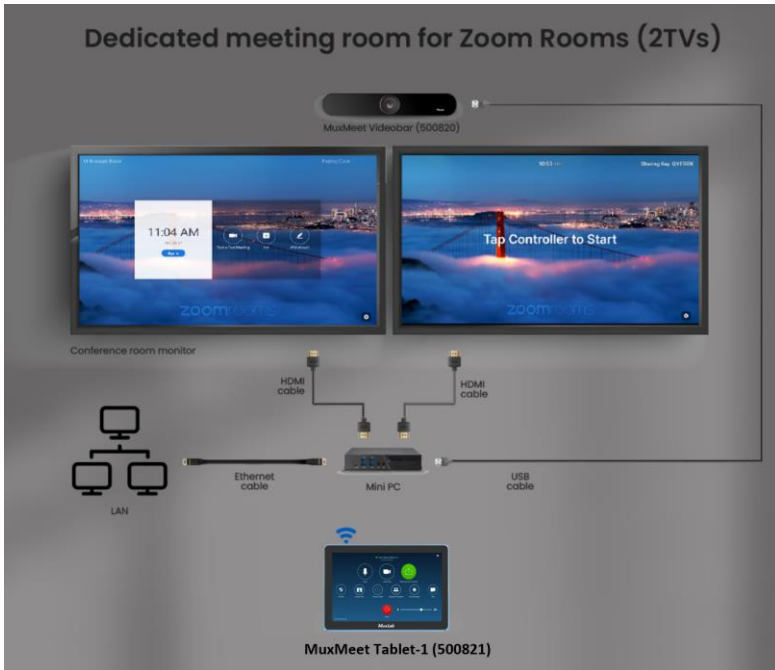
## 7. Installation instructions for wall mounting



## 8. Typical Application

Applications include video conferencing control, meeting rooms reservation, and more.

### Typical Application Diagram



## 9. Maintenance

### Tablet Maintenance

- If MuxMeet Tablet-1 will not be used for a prolonged period, please disconnect the power.
- Use a soft cloth or cotton paper to remove dust from the MuxMeet Tablet-1 housing.
- When cleaning the tablet screen, please use a dry soft cloth made for this purpose. If the amount of dirt is more serious, then use a neutral cleaner as well.

## 10. Troubleshooting

The following table describes some of the symptoms and possible solutions regarding the MuxMeet Tablet-1.

symptom	Probable cause	Possible solution
No Image	<ul style="list-style-type: none"> <li>No power or wrong power supply</li> </ul>	Check power connections and power supply
Flickering Image	<ul style="list-style-type: none"> <li>Interference</li> </ul>	Do not use around facilities that can transmit high-power radio waves

If you still cannot diagnose the problem, please call MuxLab Customer Technical Support at 877-689-5228 (toll-free in North America) or (+1) 514-905-0588 (International).



MuxLab Inc.  
2321 Rue Cohen  
Montreal, Quebec  
Canada H4R 2N7  
Tel.: +1 (514) 905-0588 Fax: +1 (514) 905-0589  
Toll Free (North America): 877 689-5228  
URL: [www.muxlab.com](http://www.muxlab.com)  
E-mail: [info@muxlab.com](mailto:info@muxlab.com)