

Overview

The IR Remote Extender Kit (500600) allows up to four (4) audio-video sources to be controlled via remote IR up to 2,200 ft (670m) away from the display via Cat5e/6 cable. The product comes with one (1) IR Sensor (500999) and four (4) IR Emitters (500998) for maximum cabling versatility. The product also features three (3) pairs of screw terminal blocks allowing the three (3) unused twisted pairs to be accessed for other low voltage services such as balanced video, audio or data.

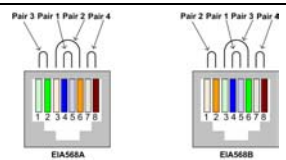


Applications

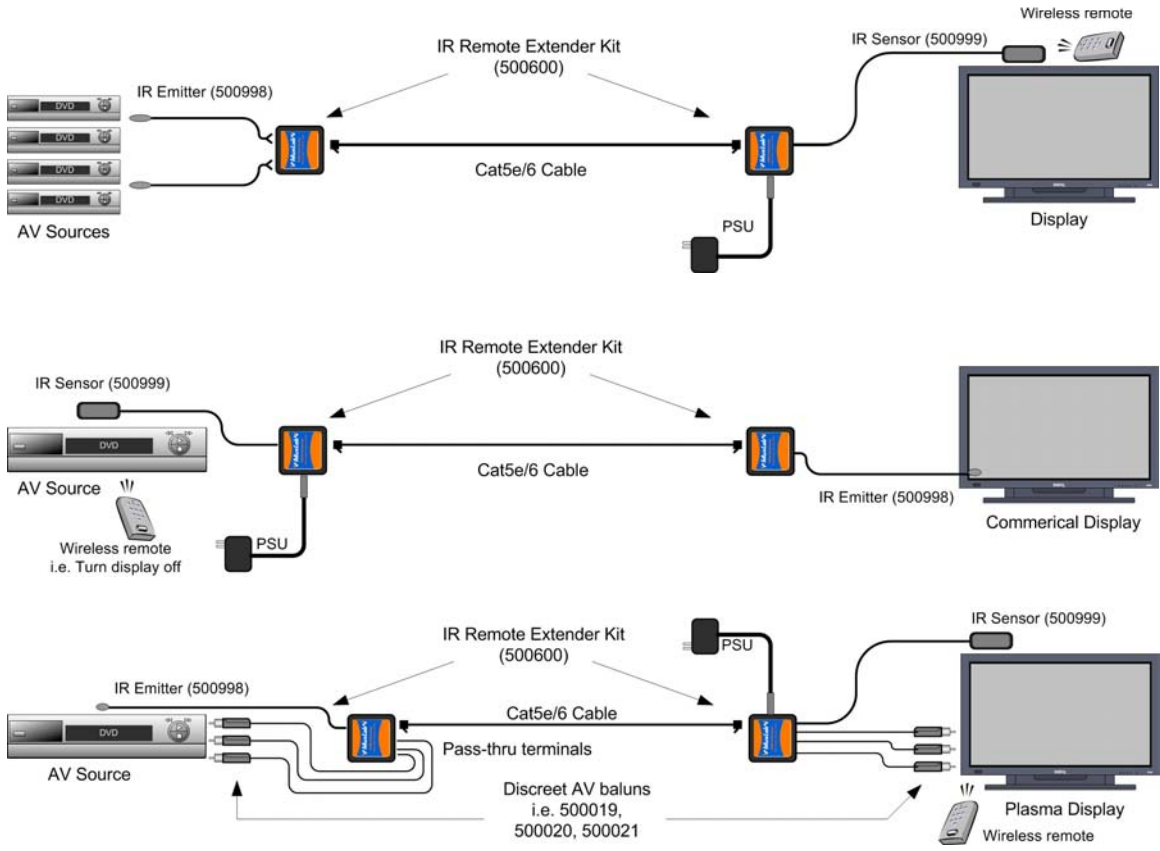
Residential AV systems, classroom projector systems, digital signage, boardroom systems, collaborative PC systems, medical information systems, commercial display on/off control.

Key Features

- IR Remote up to 2,200 ft (670m) via Cat5e/6
- Screw terminal blocks for pass-thru of other low voltage services such as audio or video.
- Includes one IR Sensor (500999)
- Includes four IR Emitters (500998)

Specifications											
Environment	Infrared (IR) control										
Devices	TV Sets, STB, DVD, DVR, PVR, satellite receivers.										
Transmission	Transparent to the user										
Supported IR Data Formats	NEC code, RC5 code, RC6 code, Grounding code, RCA Code, Zenith code and Sony 12-bit code.										
Carrier Frequency	38 KHz										
IR Wavelength	940 nm										
Connectors	TX: One (1) 3.5mm stereo jack for IR Sensor One (1) RJ45S for Cat 5e/6 unshielded or shielded twisted pair Three (3) Screw-type Terminal Blocks for RJ45 pass-thru One (1) PSU connector. RX: Four (4) 3.5mm stereo jacks for IR Emitter One (1) RJ45S for Cat 5e/6 unshielded or shielded twisted pair. Three (3) Screw -type Terminal Blocks for RJ45 pass-thru.										
Maximum Distance IR	2,200 ft (670m)										
RJ45 Pin Configuration	<div style="display: flex; align-items: flex-start;"> <table border="0" style="margin-right: 20px;"> <thead> <tr> <th>Signal</th> <th>RJ45</th> </tr> </thead> <tbody> <tr> <td>IR Remote: Pin 7 (R)</td> <td>Pin 8 (T)</td> </tr> <tr> <td>Pass-Thru: Pin 1 (R)</td> <td>Pin 2 (T)</td> </tr> <tr> <td>Pass-Thru: Pin 3 (R)</td> <td>Pin 6 (T)</td> </tr> <tr> <td>Pass-Thru: Pin 4 (R)</td> <td>Pin 5 (T)</td> </tr> </tbody> </table>  </div> <p style="font-size: small; margin-top: 5px;">Reverse Polarity Sensitive. Use EIA/TIA 568A or 568B straight-through wiring.</p>	Signal	RJ45	IR Remote: Pin 7 (R)	Pin 8 (T)	Pass-Thru: Pin 1 (R)	Pin 2 (T)	Pass-Thru: Pin 3 (R)	Pin 6 (T)	Pass-Thru: Pin 4 (R)	Pin 5 (T)
Signal	RJ45										
IR Remote: Pin 7 (R)	Pin 8 (T)										
Pass-Thru: Pin 1 (R)	Pin 2 (T)										
Pass-Thru: Pin 3 (R)	Pin 6 (T)										
Pass-Thru: Pin 4 (R)	Pin 5 (T)										
Cable	Cat 5e/6										
Power Supply	One (1) 110-240V/12VDC – 500mA power supply with interchangeable blades										
Power Consumption	Transmitter: 1.8 Watt										
Temperature	Operating: 0° to 55°C Storage: -20° to 85°C Humidity: Up to 95% non-condensing										
Enclosure	Fire retardant plastic										
Dimensions	Transmitter: 2.40" x 2.25" x 1.00" (6.1 x 5.7 x 2.5 cm) Receiver: 2.40" x 2.25" x 1.00" (6.1 x 5.7 x 2.5 cm)										
Weight	1.3 lb (0.6 kg)										
Mounting	Velcro Pads (included)										
Compliance	Regulatory: FCC, CE, RoHSFlammability: 94V0										
Warranty	2 years										
Order Information	500600 IR Remote Extender Kit										

Typical Application



Rear view