

### Overview:

The HDMI 4K over IP PoE Extender Kit allows HDMI equipment to be extended up to 330ft (100m) up to 4K (3840x2160) resolution @ 30Hz via one (1) Cat5e/6 cable in a point-to-point configuration. Point-to-multipoint and multipoint-to-multipoint configurations are also possible by connecting several units to the same local Ethernet network, and the device supports PoE (PD) if used with a PoE (PSE) Ethernet Switch.



### Applications:

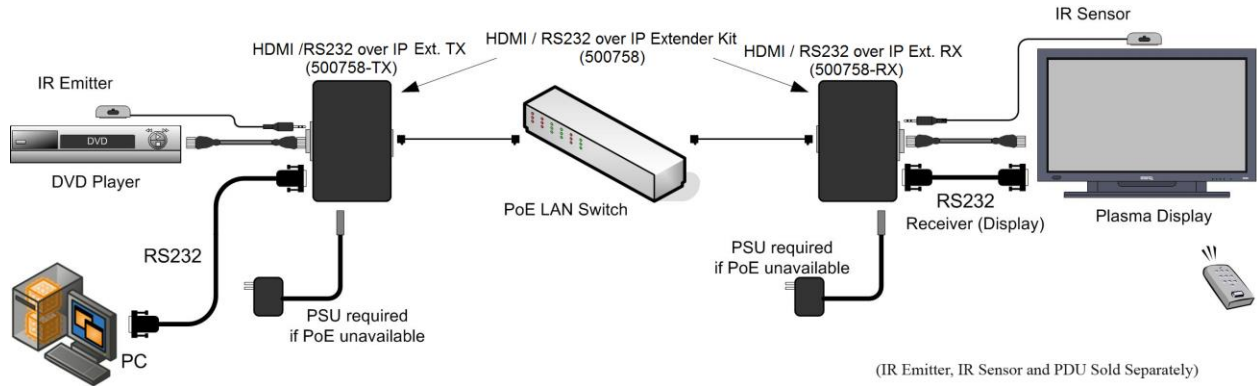
- Commercial and residential AV systems
- Classroom projector systems
- Digital signage
- Boardroom systems
- Collaborative PC systems
- Medical information systems

### Key Features:

- Supports HDMI up to 4K @ 30Hz (4:4:4)
- Supports 100's of Transmitters & Receivers depending on network bandwidth
- Extend HDMI up to 330ft (100m) over Cat5e/6
- Supports point-to-point, point-to-multipoint and multipoint-to-multipoint applications
- Supports audio insert (TX) & audio extract (RX)
- Supports IR and RS232 transmission for remote control

Specifications									
<b>Environment</b>	HDMI 1.4								
<b>Devices</b>	Blu-Ray, projectors, monitors, TV, PC, laptops, servers supporting HDMI.								
<b>Bandwidth</b>	300MHz								
<b>Signals</b>	HDMI 1.4 protocol								
<b>Connectors</b>	One (1) HDMI receptacle. One (1) RJ45S for Cat 5e/6 unshielded or shielded twisted pair. Two (2) 3.5mm jacks for IR emitter (on TX)/sensor (on RX). Two (2) 3.5mm jacks for audio insert (on TX)/audio extract (on RX). One (1) DB9 for the RS232 Four (4) DIP Switches for device ID addressing.								
<i>Note: Cables not included.</i>									
<b>Maximum Distance</b>	Cat5e/6: 330ft (100m) up to 4K @ 30Hz <i>Note: When installed in an electrically noisy environment, an STP cable must be used. Also, cross-connection reduces the effective distance depending on the grade of twisted cable used.</i>								
<i>Based on a maximum length of 6.6ft (2m) of HDMI cable per end.</i>									
<b>Latency</b>	Typical one (1) Frame (16ms), maximum 2 frames (33ms)								
<b>Compression</b>	Proprietary Compression								
<b>Bandwidth</b>	Up to 850Mbps								
<b>Network Requirement</b>	1000BaseT with Jumbo Frame								
<b>IR Frequency</b>	38 to 56KHz								
<b>RJ45 Pin Configuration</b>	<p><b>RJ45 Link</b></p> <table border="0"> <tr> <td>Pin 1 (R)</td> <td>Pin 2 (T)</td> </tr> <tr> <td>Pin 3 (R)</td> <td>Pin 6 (T)</td> </tr> <tr> <td>Pin 4 (R)</td> <td>Pin 5 (T)</td> </tr> <tr> <td>Pin 7 (R)</td> <td>Pin 8 (T)</td> </tr> </table> <p>Reverse Polarity Sensitive. Use EIA/TIA 568A or 568B straight-through wiring.</p>	Pin 1 (R)	Pin 2 (T)	Pin 3 (R)	Pin 6 (T)	Pin 4 (R)	Pin 5 (T)	Pin 7 (R)	Pin 8 (T)
Pin 1 (R)	Pin 2 (T)								
Pin 3 (R)	Pin 6 (T)								
Pin 4 (R)	Pin 5 (T)								
Pin 7 (R)	Pin 8 (T)								
<b>Cable</b>	One (1) Cat 5e/6 or better twisted pair cables required								
<b>Power Source</b>	This device supports PoE (PD), an external power supply is not included. It is intended to be powered via a PoE (PSE) Ethernet Switch. If required, an optional power supply (500993) may be purchased separately.								
<b>PoE</b>	IEEE 802.3af								
<b>Power Consumption</b>	Transmitter: 2.85Watt      Receiver: 2.55Watt								
<b>Temperature</b>	Operating: 0° to 40°C      Storage: -20° to 85°C Humidity: Up to 95% non-condensing								
<b>Dimensions</b>	4.40" x 5.08" x 1.00" (112mm x 129mm x 25mm)								
<b>Weight</b>	1.5lbs (0.68kg)								
<b>Compliance</b>	Regulatory: FCC, CE, RoHS      Flammability: 94V0								
<b>Warranty</b>	3 years								
<b>Order Information</b>	500758    HDMI 4K over IP PoE Extender Kit (UPC: 627699007587) 500758-TX    HDMI 4K over IP PoE Extender TX (UPC: 627699907580) 500758-RX    HDMI 4K over IP PoE Extender RX (UPC: 627699807583)								
<b>Accessories</b> (These items are sold separately)	500920 16-Port Rackmount Transceiver Chassis 500917 Wall Mount Transceiver Bracket Kit 500990 IR Emitter, and 500991 IR Sensor 500993 Univ. Locking Power Supply 5VDC/2.6A US/UK/EU Blade								

## Typical Application



**Transmitter (Source Side)**



**Receiver (Display Side)**