

Overview

The HDMI/LAN Extender Kit (500453) allows HDMI equipment to be connected up to 330 ft (100 m) @ 4K resolution via one (1) Cat 5e/6 unshielded twisted pair cable in a point-to-point configuration. Furthermore, the product supports up to two Ethernet 10/100 connections. The kit comes with one (1) Transmitter and one (1) Receiver as well as an IR Emitter (500998) and IR Sensor (500999) for remote control applications.

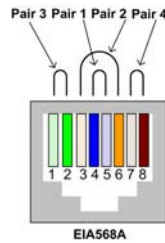
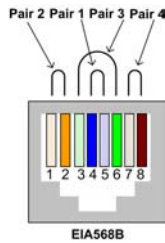
Applications

Commercial and residential AV systems, classroom projector systems, digital signage, boardroom systems, collaborative PC systems, medical information systems.

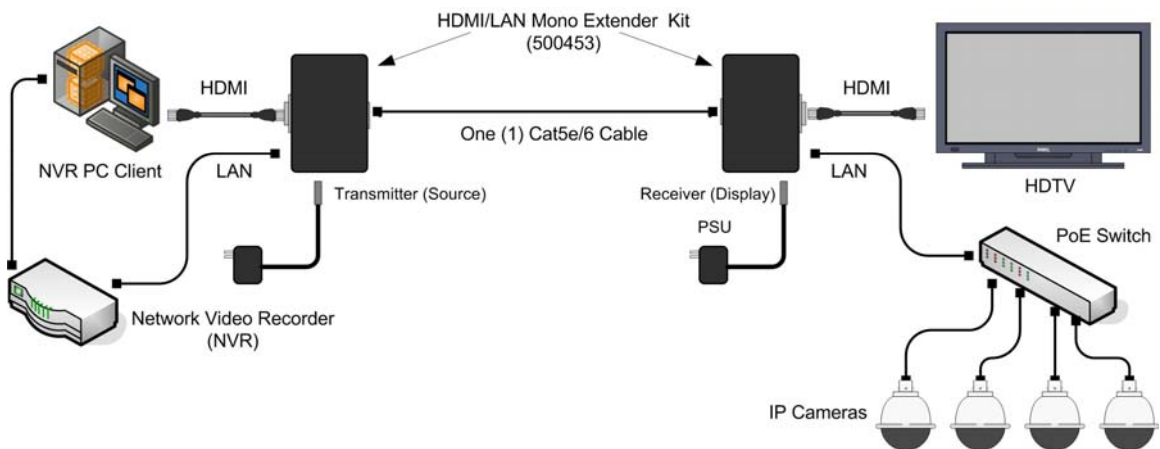
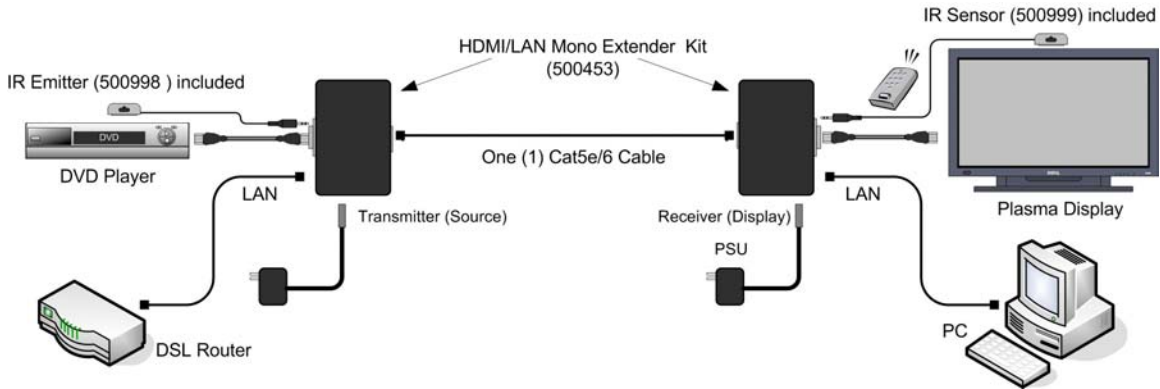


Key Features

- Supports 3D feature of HDMI 1.4
- Up to 330 ft (100m) at all resolutions up to 4K via single Cat5e/6
- Supports all digital audio modes
- Supports Ethernet with two LAN ports
- Supports bi-directional IR remote control
- Includes IR Emitter and IR Sensor
- Locking screw for HDMI connector

Specifications											
Environment	HDMI 1.3a, HDBaseT (5 Play technology). (Supports the 3D feature of HDMI 1.4). Supports all digital audio modes										
Devices	DVD, plasma, projectors, monitors, TV, PC, laptops, servers supporting HDMI										
Transmission	Transparent to the user										
Bandwidth	340 MHz										
Signals	HDMI 1.3a, HDBaseT, Digital audio: 7.1CH, Dolby TrueHD, DTS-HD										
Connectors	One (1) HDMI receptacle with locking screw One (1) RJ45S for Link Two (2) RJ45S for LAN 3.5mm jacks for IR emitter and IR Sensor <i>HDMI cables not included.</i>										
Max. Distance*	<table border="0"> <tr> <td>480i/p:</td> <td>Cat 5e/6: 330 ft (100 m)</td> </tr> <tr> <td>720p, 1080i:</td> <td>Cat 5e/6: 330 ft (100 m)</td> </tr> <tr> <td>1080p:</td> <td>Cat 5e/6: 330 ft (100 m)</td> </tr> <tr> <td>1080p Deep Color:</td> <td>Cat 5e/6: 330 ft (100 m)</td> </tr> <tr> <td>4K (3840x 2160):</td> <td>Cat 5e/6: 330 ft (100 m)</td> </tr> </table> <p>When installed in an electrically noisy environment, STP cable must be used. Also, cross-connection reduces the effective distance depending on the grade of twisted cable used.</p>	480i/p:	Cat 5e/6: 330 ft (100 m)	720p, 1080i:	Cat 5e/6: 330 ft (100 m)	1080p:	Cat 5e/6: 330 ft (100 m)	1080p Deep Color:	Cat 5e/6: 330 ft (100 m)	4K (3840x 2160):	Cat 5e/6: 330 ft (100 m)
480i/p:	Cat 5e/6: 330 ft (100 m)										
720p, 1080i:	Cat 5e/6: 330 ft (100 m)										
1080p:	Cat 5e/6: 330 ft (100 m)										
1080p Deep Color:	Cat 5e/6: 330 ft (100 m)										
4K (3840x 2160):	Cat 5e/6: 330 ft (100 m)										
RJ45 Pin Configuration <i>Reverse Polarity Sensitive</i> <i>Use EIA/TIA 568 A or B, straight-through wiring.</i>	<p>RJ45</p> <table border="0"> <tr> <td>Pin 1 (R)</td> <td>Pin 2 (T)</td> </tr> <tr> <td>Pin 3 (R)</td> <td>Pin 6 (T)</td> </tr> <tr> <td>Pin 4 (R)</td> <td>Pin 5 (T)</td> </tr> <tr> <td>Pin 7 (R)</td> <td>Pin 8 (T)</td> </tr> </table> <div style="display: flex; justify-content: space-around; align-items: center;">   </div>	Pin 1 (R)	Pin 2 (T)	Pin 3 (R)	Pin 6 (T)	Pin 4 (R)	Pin 5 (T)	Pin 7 (R)	Pin 8 (T)		
Pin 1 (R)	Pin 2 (T)										
Pin 3 (R)	Pin 6 (T)										
Pin 4 (R)	Pin 5 (T)										
Pin 7 (R)	Pin 8 (T)										
Cable	One (1) Cat5e/6 or better twisted pair cable required.										
Power Supply	Two (2) 110-240V/5VDC power supply with interchangeable blades included										
Power Consumption	Transmitter: 2.75W Receiver: 5.15W										
Temperature	Operating: 0° to 55° C. Storage: -20° to 85° C. Humidity: up to 95% non-condensing.										
Enclosure	Metal										
Dimensions	4.40" x 3.00" x 1.00" (11.2 x 7.6 x 2.5 cm)										
Shipping Weight	1.4 lb (.6 kg)										
Compliance	Regulatory: FCC, CE, RoHS Flammability: 94V0										
Warranty	2 years										
Order Information	500453 HDMI/LAN Extender Kit (includes, Tx, Rx, IR-Emitter, IR Sensor, 2x PSU)										

Typical Application



Rear panels