

# Specifications

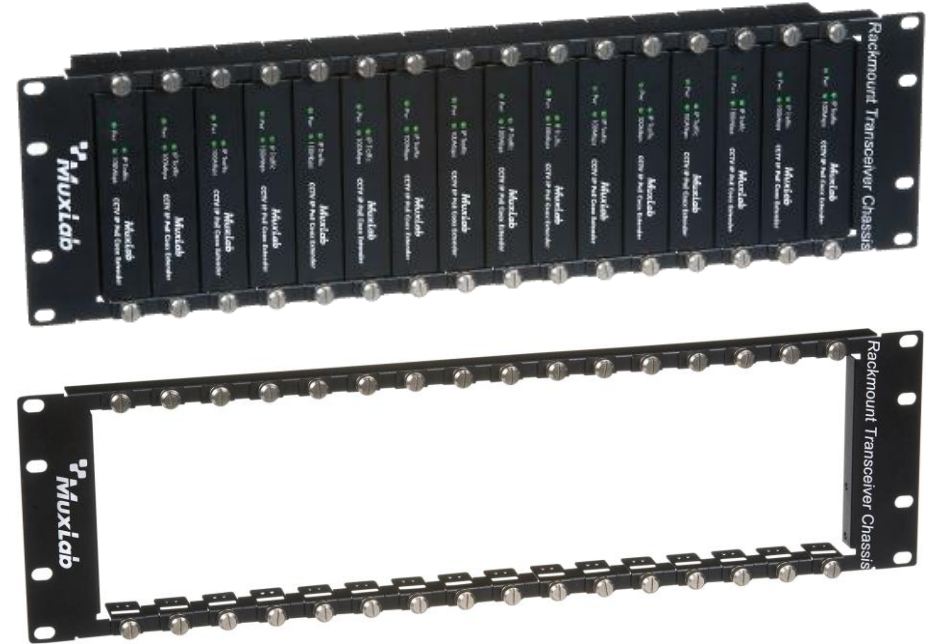
<b>Environment</b>	Custom audio-video systems in a structured cabling environment.
<b>Application</b>	Head-end installations, audio-video rooms, telecom rooms.
<b>Capacity</b>	Sixteen (16) positions.
<b>Compatible baluns</b>	MuxLab baluns measuring: 4.4" x 2.95" x 1" (11.1 x 7.5 x 2.5 cm).
<b>Orientation</b>	Baluns may be installed front or rear facing.
<b>Lock-in mechanism</b>	Special brackets to hold the transceivers into position via thumb screws.
<b>Rack height</b>	3U (5.25"), 19" rack
<b>Enclosure</b>	Black painted steel.
<b>Mounting holes</b>	Four (4) rackmounting holes
<b>Mounting hardware</b>	Four (4) rackmounting 10-32 screws and washers are included.
<b>Dimensions</b>	19" (W) x 5.25" (H) x 3.0" (D) (48.3 cm x 13.4 cm x 7.2 cm).
<b>Weight</b>	2.5 lbs (1.14 kg).
<b>Standards</b>	EIA/TIA.
<b>Warranty</b>	Lifetime.
<b>Order Information</b>	500906 16-Port Rackmount Transceiver Chassis 500907 Blank Filler for 500906 (qty 4) 500908 Brackets for mounting transceivers on 500906 (qty 4 brackets for 2 transceivers)

**MuxLab**

8495 Dalton Rd, Montreal, Quebec, Canada, H4T 1V5  
Tel.: (+1) 514-905-0588 Fax: (+1) 514-905-0589  
Toll Free (North America): (877) 689-5228  
E-mail: [videoease@muxlab.com](mailto:videoease@muxlab.com) URL: [www.muxlab.com](http://www.muxlab.com)

94-000777-A

SE-000777-A



## 16-Port Rackmount Transceiver Chassis (500906) Installation Guide

### Introduction

The 16-Port Rackmount Transceiver Chassis is designed as a head-end cable management solution, allowing any combination of up to sixteen (16) MuxLab Transceivers to be installed in a standard 19" telecom relay rack. Head-end AV equipment such as DVD players, video servers and cable boxes may be installed in a local wiring closet and connected to the Cat5e/6 structured cabling system via a wide array of MuxLab Transceiver solutions.

The Transceiver may be installed in either front or rear-facing orientation depending on the application. At the display end, the appropriate MuxLab Transceivers are installed at the receivers to support a fully Cat5e/6 cabling solution. Each Transceiver can be mounted and secured into place with thumbscrews brackets. The 16-Port Rackmount Transceiver Chassis (500906) includes 8 brackets to mount 4 transceivers. More brackets can be ordered separately (P/N: 500908).

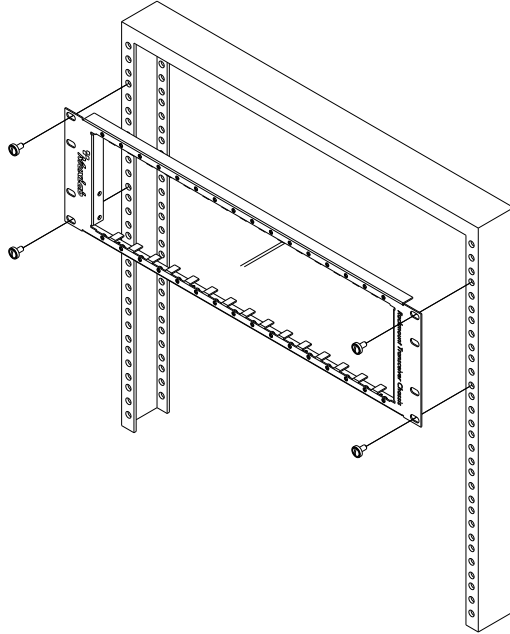
Before installing, please make sure you have all the parts. The package includes (1) a 19" rack, (2) eight brackets for mounting up to 4 transceivers, (3) four 10-32 screws and washers, (4) this manual.

# Installation

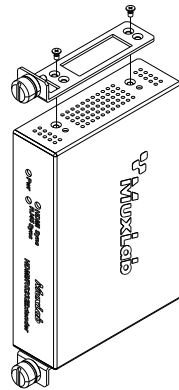
In order to install the 16-Port Rackmount Transceiver Chassis (500906), perform the following steps:

1. Identify the final location of the 16-Port Rackmount Transceiver Chassis.

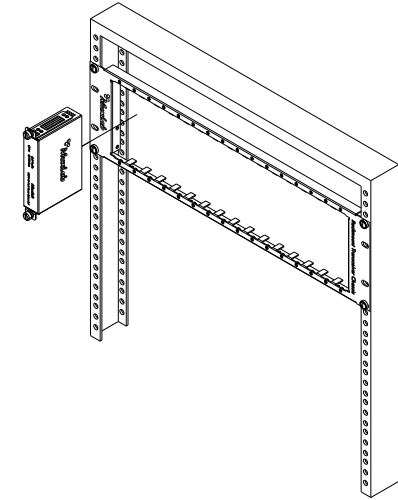
2. Install the 16-Port Rackmount Transceiver Chassis in the 19" relay rack using the four 10-32 rack screws and nylon washers included with the product.



3. Attach two brackets on the sides of each transceiver. Brackets can use the same screws used on the transceivers. Simply remove the screws on one side of the transceiver, place one bracket and put back the 2 screws. Attach the second bracket in the same way.



4. Install each transceiver in its appropriate slot. Slide the transceiver into the desired slot from the front of the transceiver Chassis. Secure each transceiver in place with the thumbscrews.



5. Empty slots can be blocked with blank filler plates. Blank fillers can be ordered separately using the following Part Number: 500907. The 500907 includes 4 blank filler plates to block up to 4 slots.
6. The transceivers may be installed either front or rear facing. In order to remove each transceiver, loosen the thumbscrew at the front of the chassis and pull out the transceiver in a horizontal direction.
7. The following diagram shows a typical application.

