

Specifications

Environment	HDMI 1.4a (3D)
Devices	DVD/Blu-Ray, plasma, projectors, monitors, TV, PC, laptops
Transmission	Transparent to the user
Frequency	25 to 340 MHz
Signals	HDMI 1.4 protocol
Connectors	Eight (8) HDMI Type A 19-pin female Nine (9) 3.5mm Stereo Jack One (1) RS232 connector One (1) 2.1 mm Power Jack
LEDs	One (1) Power: Green Sixteen (16) port selection: Green
Manual Control	Rocker switch on the front of the unit
Remote Control	Included
Resolution	480i to 1080p @ 50/60 fps 1080p @ 24/50/60 fps 3840 X 2160 @ 24/25/30 fps VGA to UXGA
Color	8, 10 & 12 bit
Audio	LPCM, compressed (Dolby, DTS) and HBR
HDCP	Revision 1.4
Cable	HDMI Cable
Temperature	Operating: 0° to 40°C Storage: -20° to 60°C Humidity: up to 90% non-condensing
Enclosure	Metal enclosure
Bracket	Wall mount brackets included
Dimensions	10.63" x 4.53" x 1.77" (270 mm x 115 mm x 45 mm)
Weight	3.2 lbs (1.45 Kg)
Power Supply	12VDC, 2.5A with interchangeable blade for US, UK and Euro
Compliance	Regulatory: FCC, CE, RoHS
Warranty	2 years
Order Information	500440 HDMI 4X4 Matrix Switch, UHD-4K



HDMI 4X4 Matrix Switch, UHD-4K (500440)

Quick Installation Guide

Overview

The HDMI 4x4 Matrix Switch (500440) allows Four (4) HDMI sources to be distributed to Four (4) HDMI display. The switcher supports up to 4K (3840 x 2160), 8-bit color and HD audio. The splitter is HDCP 1.4 compliant and features LED diagnostics. Additionally, all HDMI connectors are on the rear panel for neater cabling. Applications include; commercial and residential AV systems, classroom projector systems, digital signage, boardroom systems, collaborative PC systems, medical information systems.

Pre-Installation Check

Identify the connectors as indicated on the product



MuxLab
PRODIGITAL™

8495 Dalton Road, Mount Royal, Quebec, Canada. H4T 1V5

Tel: (514) 905-0588 Fax: (514) 905-0589

Toll Free (North America): (877) 689-5228

E-mail: videoease@muxlab.com URL: www.muxlab.com

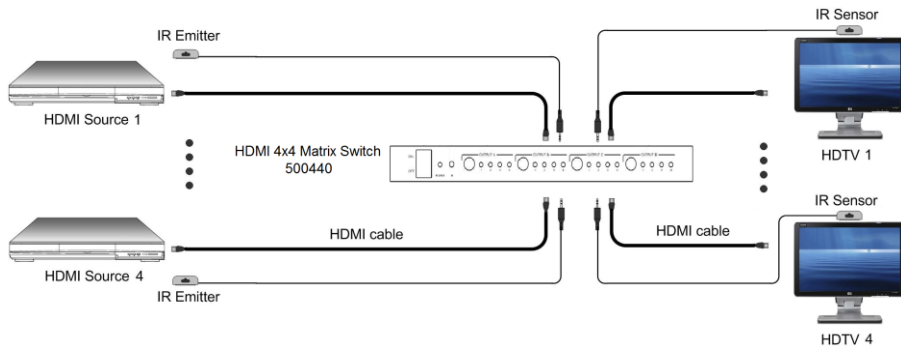
Installation

In order to install the HDMI 4X4 Matrix Switch, please follow the steps below:

1. Connect the HDMI video source(s) to the input connector(s) of the switcher.
2. Connect the HDMI display equipment(s) to output connector(s) of the switcher.
3. Connect the 12VDC power supply to the switcher first, and then plug the power supply into an AC power outlet.
4. Power on the HDMI equipment and verify the image quality.
5. If infrared remote control is needed, connect the IR Sensor to the 3.5mm Stereo Jack of the IR Sensor Jack and the IR Emitter to the 3.5mm Stereo Jack of the IR Emitter Jack.

Note: You can differentiate the IR Sensor and the IR Emitter by looking at the head. The IR Sensor has a black plastic head and the IR Emitter have dark red hemispheric head.

6. Position the IR Sensor so that it is directed to the hand-held remote control. For a clear IR signal reception, aim the hand-held remote control to the top of the IR Sensor enclosure.
7. Position the IR Emitter as close as possible to the source's IR Sensor (i.e. DVD player). For a clear IR signal reception, the IR Emitter can be glued on the source's IR Sensor. The IR Emitter's signal is transmitted from the side of the enclosure.
8. The following diagram shows the final configuration.



Remote Control

1. The remote control has 4 distinct sections. Each section controls a specific output port. In each section the user can select the desired input port by using the direct selection.



EDID Configuration

Select the fix EDID that will be applied to all input port. Selecting “1111” will enable the control of the EDID by software.

Number	EDID Selector	Description
1	0000	Auto mode(default)
2	0001	1080i, Stereo Audio 2.0
3	0010	1080i, Dolby/DTS 5.1
4	0011	1080i, HD Audio 7.1
5	0100	1080p, Stereo Audio 2.0
6	0101	1080p, Dolby/DTS 5.1
7	0110	1080p, HD Audio 7.1
8	0111	3D, Stereo Audio 2.0
9	1000	3D, Dolby/DTS 5.1
10	1001	3D, HD Audio 7.1
11	1010	4K2K, Stereo Audio 2.0
12	1011	4K2K, Dolby/DTS 5.1
13	1100	4K2K, HD Audio 7.1
14	1101	1024x768 DVI
15	1110	1920x1080 DVI
16	1111	Software control mode

Troubleshooting

The following tables describe some of the symptoms, probable causes and possible solutions in respect to the installation of the HDMI 4X4 Matrix Switch.

Picture/Sound	Probable Cause	Possible Solution
No Image	Wiring	Check continuity Check correct wiring
No Image	Synchronization	Power off the source and the display. Power on the devices.
Flickering Image	Synchronization	Check HDMI cable length
Choppy Sound	Synchronization	Check HDMI cable length
Noise in image	Weak signal	Check HDMI cable length
Green or pink hue	Cable	Check HDMI cables and replace.
IR not functioning	Remote control not directed to the IR Sensor or IR Emitter not directed to the source.	Make sure the IR Sensor is directed towards the remote and the IR Emitter to the equipment
IR not functioning	Interference from sunlight, Fluorescent, Neon or Halogen lights	Place the IR equipment away for the interfering light
IR not functioning	Interference from RF radiation from the TV	Place the IR equipment away for the RF radiation

If you still cannot diagnose the problem, please call MuxLab Customer Technical Support at 877-689-5228 (toll-free in North America) or (+1) 514-905-0588 (International).