

## Overview:

The HDMI over IP H.264 PoE Extender Kit allows HDMI source and display equipment to be connected in point-to-point, point-to-multipoint and multipoint-to-multipoint configurations via a local Ethernet network, in a flexible, expandable and cost effective manner, without the need to install dedicated cabling systems. Connectivity may be up to 330ft (100m) @ 1080p via Cat5e/6 cable, and the device supports PoE (PD) if used with a PoE (PSE) Ethernet Switch.

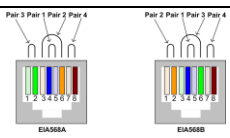


## Applications:

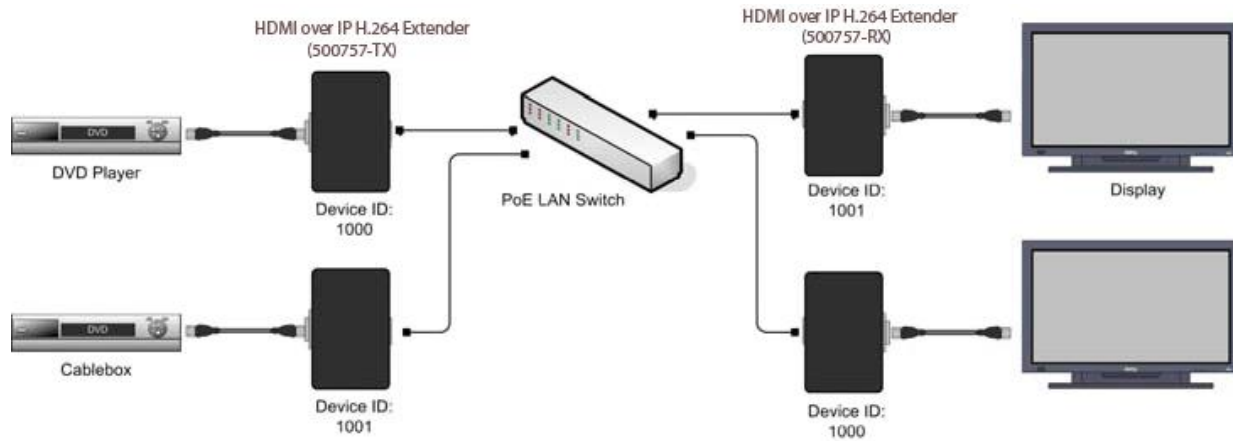
- Commercial and residential AV systems
- Classroom projector systems
- Digital signage
- Boardroom systems
- Collaborative PC systems
- Medical information systems

## Key Features:

- Supports HDMI up to 1080p resolution @ 30Hz
- Supports 100's of Transmitters & Receivers depending on network bandwidth
- H.264 compression supports high image quality
- High compression rate suitable for WiFi transmission
- Extend HDMI up to 330ft (100m) over Cat5e/6
- Supports point-to-point, point-to-multipoint and multipoint-to-multipoint applications
- Supports RS232 and IR transmission for remote control
- PoE powered

Specifications	
<b>Environment</b>	HDMI (up to 1080p @ 30Hz)
<b>Devices</b>	DVD, plasma, projectors, monitors, TV, PC, laptops, servers supporting HDMI.
<b>Control</b>	Controllable via the Ethernet port.
<b>HDMI standard</b>	HDMI ver. 1.3, HDCP 1.1
<b>Connectors</b>	One (1) HDMI receptacle for audio/video. One (1) RJ45S for Cat 5e/6 unshielded or shielded twisted pair. One (1) DB9 for Serial Port for RS232. One (1) 3.5mm jack for IR emitter/sensor. Six (6) DIP Switches for device ID addressing.
<i>Note: Cables not included.</i>	
<b>Maximum Distance</b>	On HDMI (per side): 6.6ft (2m) On Cat5e/6: 330ft (100m)
<b>Latency</b>	500ms (max), 300ms (typical)
<b>Compression</b>	Video: H.264 fully compliant with ISO/IEC 14496-10 high profile and level 4.1, up to 1920x1080p @ 30Hz Audio: MPEG
<b>Network Requirement</b>	Compliant with the full IEEE 802.3-2002 specifications (100BaseTX).
<b>Network Bandwidth</b>	Video: 18Mbps, Audio: 256Kbps
<b>IR Frequency</b>	38KHz to 56KHz
<b>RJ45 Pin Configuration</b>	<p><b>RJ45 Link</b></p> <p>Pin 1 (R) Pin 2 (T) Pin 3 (R) Pin 6 (T) Pin 4 (R) Pin 5 (T) Pin 7 (R) Pin 8 (T)</p>  <p><i>Use EIA/TIA 568A or 568B straight-through wiring.</i></p>
<b>Power Source</b>	This device supports PoE (PD), an external power supply is not included. It is intended to be powered via a PoE (PSE) Ethernet Switch. If required, an optional power supply (500993) may be purchased separately.
<b>PoE Standard</b>	IEEE 802.3af
<b>Power Consumption</b>	Transmitter: 4.5W Receiver: 2.5W
<b>Temperature</b>	Operating: 0° to 40°C Storage: -20° to 85°C Humidity: Up to 95% non-condensing
<b>Enclosure Type</b>	Metal enclosure.
<b>Dimensions</b>	4.4" x 4.6" x 1.0" (111mm x 120mm x 25mm)
<b>Weight</b>	1.5lbs (0.7kg)
<b>Compliance</b>	Regulatory: FCC, CE, RoHS Flammability: 94V0
<b>Warranty</b>	2 years
<b>Order Information</b>	500757 HDMI over IP H.264 PoE Extender Kit (UPC: 627699007570) 500757-TX HDMI over IP H.264 PoE Extender TX (UPC: 627699907573) 500757-RX HDMI over IP H.264 PoE Extender RX (UPC: 627699807576)
<b>Accessories</b> (These items are sold separately)	500920 Rackmount Transceiver Chassis 16-Port 500917 Wall Mount Transceiver Bracket Kit 500998 IR Emitter, and 500994 IR Sensor 500993 Univ. Locking Power Supply 5VDC/2.6A US/UK/EU Blade

## Typical Application



### MuxLab Inc.

8495 Dalton Road, Mount Royal, Quebec, Canada, H4T 1V5

Tel: (514) 905 0588 Fax: (514) 905 0589

Toll Free: 1 877 689-5228

E-mail: [videoease@muxlab.com](mailto:videoease@muxlab.com)

[www.muxlab.com](http://www.muxlab.com)