

Overview:

The HDMI 4K over IP PoE Extender Kit allows HDMI equipment to be extended up to 330ft (100m) up to 4K (3840x2160) resolution @ 30Hz via one (1) Cat5e/6 cable in a point-to-point configuration. Point-to-multipoint and multipoint-to-multipoint configurations are also possible by connecting several units to the same local Ethernet network, and the device supports PoE (PD) if used with a PoE (PSE) Ethernet Switch.



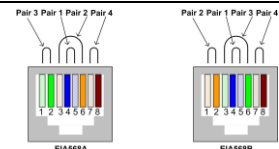
Applications:

- Commercial and residential AV systems
- Classroom projector systems
- Digital signage
- Boardroom systems
- Collaborative PC systems
- Medical information systems

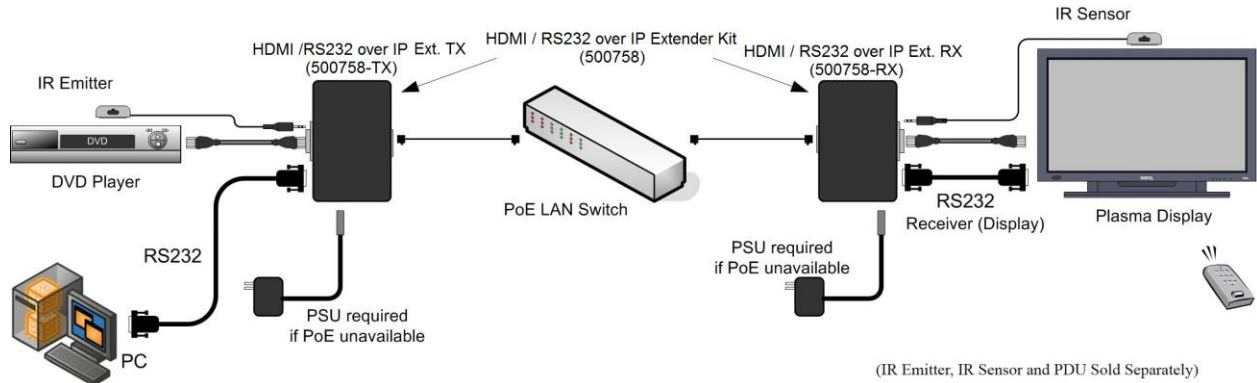
Key Features:



- Supports HDMI up to 4K @ 30Hz (4:4:4)
- Supports 100's of Transmitters & Receivers depending on network bandwidth
- Extend HDMI up to 330ft (100m) over Cat5e/6
- Supports point-to-point, point-to-multipoint and multipoint-to-multipoint applications
- Supports audio insert (TX) & audio extract (RX)
- Supports IR and RS232 transmission for remote control

Specifications									
Environment	HDMI 1.4								
Devices	Blu-Ray, projectors, monitors, TV, PC, laptops, servers supporting HDMI.								
Bandwidth	300MHz								
Signals	HDMI 1.4 protocol								
Connectors	One (1) HDMI receptacle. One (1) RJ45S for Cat 5e/6 unshielded or shielded twisted pair. Two (2) 3.5mm jacks for IR emitter (on TX)/sensor (on RX). Two (2) 3.5mm jacks for audio insert (on TX)/audio extract (on RX). One (1) DB9 for the RS232 Four (4) DIP Switches for device ID addressing.								
<i>Note: Cables not included.</i>									
Maximum Distance	Cat5e/6: 330ft (100m) up to 4K @ 30Hz <i>Note: When installed in an electrically noisy environment, an STP cable must be used. Also, cross-connection reduces the effective distance depending on the grade of twisted cable used.</i>								
<i>Based on a maximum length of 6.6ft (2m) of HDMI cable per end.</i>									
Latency	Typical one (1) Frame (16ms), maximum 2 frames (33ms)								
Compression	Proprietary Compression								
Bandwidth	Up to 850Mbps								
Network Requirement	1000BaseT with Jumbo Frame								
IR Frequency	38 to 56KHz								
RJ45 Pin Configuration	<p>RJ45 Link</p> <table border="0"> <tr> <td>Pin 1 (R)</td> <td>Pin 2 (T)</td> </tr> <tr> <td>Pin 3 (R)</td> <td>Pin 6 (T)</td> </tr> <tr> <td>Pin 4 (R)</td> <td>Pin 5 (T)</td> </tr> <tr> <td>Pin 7 (R)</td> <td>Pin 8 (T)</td> </tr> </table> 	Pin 1 (R)	Pin 2 (T)	Pin 3 (R)	Pin 6 (T)	Pin 4 (R)	Pin 5 (T)	Pin 7 (R)	Pin 8 (T)
Pin 1 (R)	Pin 2 (T)								
Pin 3 (R)	Pin 6 (T)								
Pin 4 (R)	Pin 5 (T)								
Pin 7 (R)	Pin 8 (T)								
<i>Reverse Polarity Sensitive. Use EIA/TIA 568A or 568B straight-through wiring.</i>									
Cable	One (1) Cat 5e/6 or better twisted pair cables required								
Power Source	This device supports PoE (PD), an external power supply is not included. It is intended to be powered via a PoE (PSE) Ethernet Switch. If required, an optional power supply (500993) may be purchased separately.								
PoE	IEEE 802.3af								
Power Consumption	Transmitter: 2.85Watt Receiver: 2.55Watt								
Temperature	Operating: 0° to 40°C Storage: -20° to 85°C Humidity: Up to 95% non-condensing								
Dimensions	4.40" x 5.08" x 1.00" (112mm x 129mm x 25mm)								
Weight	1.5lbs (0.68kg)								
Compliance	Regulatory: FCC, CE, RoHS Flammability: 94V0								
Warranty	2 years								
Order Information	500758 HDMI 4K over IP PoE Extender Kit (UPC: 627699007587) 500758-TX HDMI 4K over IP PoE Extender TX (UPC: 627699907580) 500758-RX HDMI 4K over IP PoE Extender RX (UPC: 627699807583)								
Accessories (These items are sold separately)	500920 16-Port Rackmount Transceiver Chassis 500917 Wall Mount Transceiver Bracket Kit 500990 IR Emitter, and 500991 IR Sensor 500993 Univ. Locking Power Supply 5VDC/2.6A US/UK/EU Blade								

Typical Application



Transmitter (Source Side)



Receiver (Display Side)