

Overview:

The Analog Stereo Audio Splitter allows one analog source using either the Muxlab analog audio balun (500028) or Muxlab Audio Matrix Switch (500210) to be connected passively to up to three receivers using Muxlab's Analog Audio Balun (500028) over CAT 5e/6 cabling.



Applications:

Installation of multiple audio receivers using Muxlab's Audio Balun HiFi, Audio Matrix and Balun Amplifier.
Audio distribution for PA systems, Home Audio, Digital signage, podium systems.

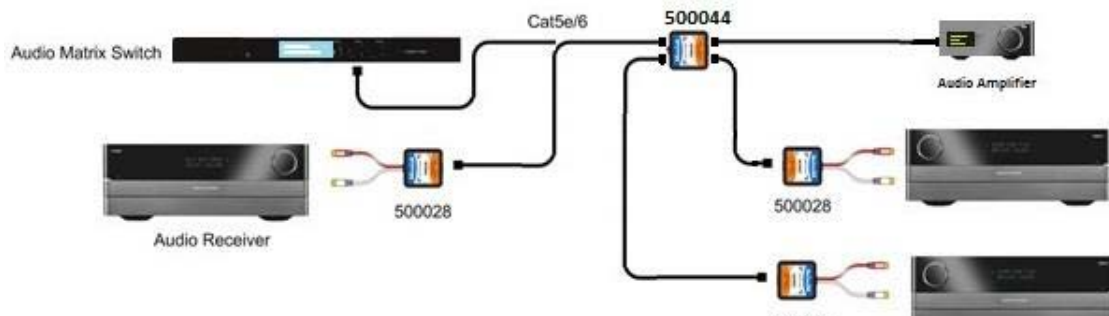
Features:

- Easy installation for one or two additional receivers
- No need for splice or punch block
- Use standard Cat5/5e/6 cable
- Splits the incoming Analog Audio channel to three (3) Analog Audio channels
- Analog Audio input (RJ45)
- Analog Audio outputs (3 x RJ45)
- Compatible with all other MuxLab Analog Audio baluns, matrix and receiver balun.

Environment	Audio HiFi Muxlab Balun User
Device Targeted	Installation of multiple audio receiver using Muxlab Audio Balun HiFi and Audio Matrix.
Compatible TX Unit	500210, 500028, 500027, 500030, 500033
Compatible RX Unit	500219, 500028, 500027, 500030, 500033
Compatible mounting hardware	500902, 500900, 500910, 500915
Cabling Requirement	Any 4-pair straight cable Cat5, 5E or 6 UTP.
Connectors	Four RJ45 connectors.
RJ45 Pin Configuration	Pin 1+2, 3+6 for audio; pin 4+5, 7+8 for second audio channel
Maximum distance	Total distance (all length must be added): 3250ft (1km)
Temperature	Operating: -40° to 60°C (-40° to 140°F) Storage: -40° to 85°C (-40° to 185°F)
Humidity	Maximum 95% (non-condensing)
Enclosure	ABS UL94HB fire retardant plastic
Dimensions	6 x 5.5 x 2.5 cm (2.4" x 2.25" x 1.0")
Weight	50g (2 oz.)
Warranty	Lifetime
Order Information	500044 Stereo Analog Audio Splitter (UPC: 627699000441)

Stereo Analog Audio Splitter 1x3 500044

Typical Application:



Product Photos:

