

**Overview:**

The 8 x 8 Cat 5e/6 Line Level Audio Matrix Switch supports audio switching between multiple audio sources and distribution via Cat 5e/6 cable.

The Cat 5e/6 Line Level Audio Matrix Switch provides full non-blocking port switching and distribution between multiple stereo line level analog audio sources. The Audio Matrix Switch uses RJ45 connectors and works in conjunction with MuxLab's stereo audio balun (500019, 500027, 500028 and 500030) and digital audio balun (500020). The product provides port buffering, unity gain compensation and ground loop isolation. The Switch can be managed via push-button, IR, RS232, Ethernet, Web Server, or 3rd party software.

**Applications:**

Classroom training  
 Hospitality industry  
 Podium systems  
 Home theatre  
 Digital signage  
 Rental and staging

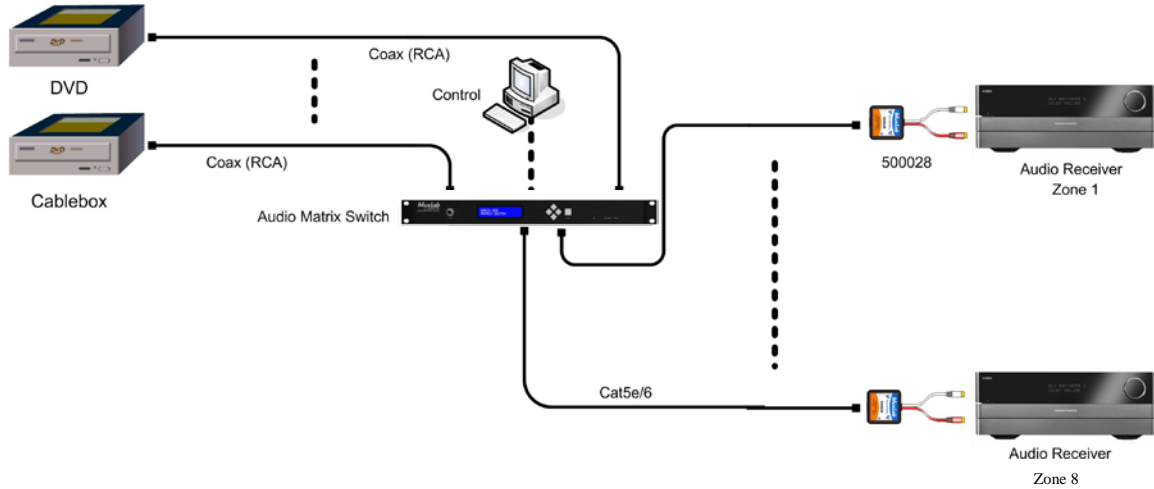


**Key Features:**

- Compatible with MuxLab's stereo audio balun (500019, 500027, 500028 and 500030)
- Compatible with MuxLab's digital audio balun (500020)
- RCA audio jack for input, RJ45 jack for output to preserve investment in structured cabling system
- Port buffering
- Volume control
- Non-blocking switching and distribution
- Ground loop isolation
- Management via push-button, IR, RS232, Ethernet, Web Server, or 3rd party software

Specification Chart	
<b>Environment</b>	Line Level Stereo Audio (analog and digital)
<b>Enclosure</b>	Metal box, 19" x 7.75" x 1.75" (1U)
<b>Control</b>	Push-button, IR, RS232, Ethernet, Web Server, or 3rd party software
<b>Front panel</b>	Display: 2 lines x 20 characters, blue power and overload LEDs Input: Five (5) buttons, IR detector Output: One (1) ¼ inch jack, for monitoring
<b>Connectors (audio in)</b>	Analog: Eight (8) RCA (red/white) unbalanced, -10dBV 10Kohm Digital: Eight (8) RCA (orange) unbalanced SPDIF
<b>Connectors (audio out)</b>	Eight (8) RJ45 Pinout: Analog Audio 1(White): 1 (R) & 2 (T) Analog Audio 2 (Red): 3 (R) & 6 (T) Digital Audio (Orange): 4 (R) & 5 (T) Analog: Balanced using analog transformer, Level: -10dBV (100 ohm), compatible with 500019, 500027, 500028, 500030 balun. Digital: Balanced using transformer (SPDIF level), compatible with 500020 balun.
<b>Connectors (control)</b>	Ethernet, RS232 and USB
<b>Connectors</b>	RJ45, one (1) for input, one (1) for output (for analog only)
<b>Connectors - power</b>	One (1) power barrel jack 2.1mm
<b>Other features</b>	Volume control and cascable unit
<b>Compliance</b>	FCC, CE, RoHS
<b>Power</b>	12VDC @ 1A external power supply with US, UK and Euro blades

## Typical Application



### MuxLab Inc.

8495 Dalton Road, Mount Royal, Quebec, Canada, H4T 1V5

Tel: (514) 905 0588 Fax: (514) 905 0589

Toll Free: 1 877 689-5228

E-mail: [videoease@muxlab.com](mailto:videoease@muxlab.com)

[www.muxlab.com](http://www.muxlab.com)