

### Overview

The Multimedia 16x16 Matrix Switch System is a modular AV switching platform that converts and switches a wide range of digital and analog AV inputs to HDMI via HDBaseT over Cat5e/6 cable or fiber. The switch features an 8-slot chassis that allows up to four 4-port input modules to be switched to up to four 4-port output modules for a maximum switching capacity of 16x16. The Matrix Switch is managed via front panel controls or via web server interface and features dual-redundant power supplies for ease of service. The Matrix Switch works with MuxLab's HDMI Receiver (500451-Rx) to convert from HDBaseT back to HDMI at the display.

### Applications

Digital signage, retail and residential AV signal routing, boardroom projector systems, classroom training, professional video editing, medical imaging, courtroom systems, rental and staging, video kiosks, airport video information systems, emergency operations centers, multimedia entertainment centers.



### Key Features

- HDBaseT technology
- Hot-swappable I/O cards
- Input signals converted to HDMI
- Non-blocking switching from 4x4 to 16x16
- Supports up to four 4-port input modules
- Supports up to four 4-port output modules
- Input modules: HDMI, HD-SDI, DVI, and VGA
- Output modules: HDMI, HDBaseT
- Dual-redundant power supplies
- Control via front panel, RS232, USB, webserver
- Control4® driver available
- 5U rack height



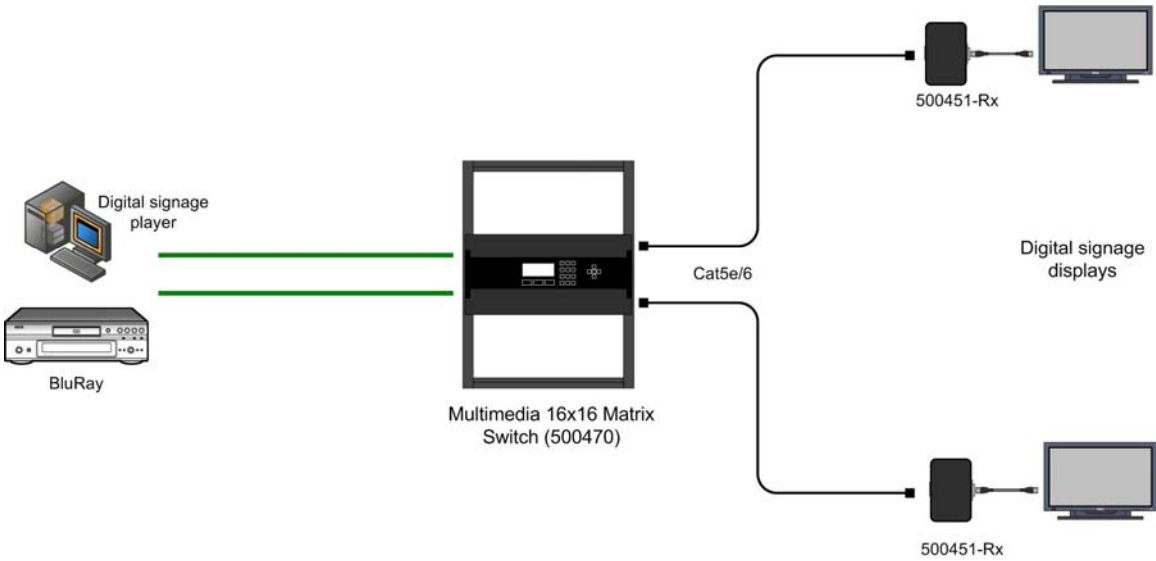
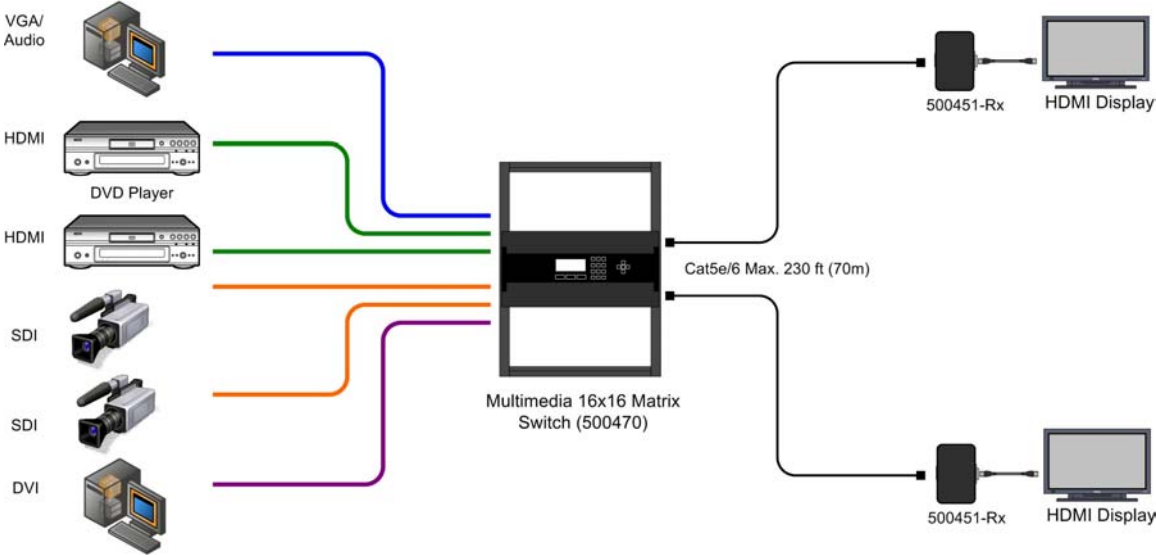
Specifications – Matrix Switch Chassis (500470) and Power Supply Module (500478)	
<b>Environment</b>	HDMI 1.3A, HDMI 1.4A 3D Support, DVI, 3G-SDI, VGA
<b>Devices</b>	LCD and Plasma TVs, DVD and Blu-Ray players, monitors, projectors, PCs, laptops, home theatre systems, home theater PCs, game consoles.
<b>Transmission</b>	Transparent to the user
<b>Switching configurations</b>	4x4, 4x8, 4x16, 8x4, 8x8, 8x16, 16x4, 16x8, 16x12, 16x16
<b>Backplane bandwidth</b>	12.75Gbps per channel
<b>Management</b>	Front panel LCD control, RS232, USB, Webserver 3 <sup>rd</sup> party drivers: Control4®
<b>Input Slot</b>	4 Slots supporting 4-port modular input card; HDMI, DVI, 3G-SDI, VGA
<b>Output Slot</b>	4 Slots supporting 4-port modular output card; HDMI, HDBaseT
<b>Connectivity</b>	Ethernet LAN (RJ45), USB (Type B) and RS232 (DB9)
<b>Maximum Distance</b>	UTP/STP Cat 5e/6 Output port: 230 feet (70 meters)
<b>Cables</b>	Cat 5e/6 UTP/STP cables (or better) required for HDBaseT port
<b>Power</b>	AC 100-240 V 50/60 Hz
<b>Power Supply</b>	Dual Redundant Power Supply 100-240 VAC to 12 VDC @ 25A (300 W)
<b>LED Diagnostics</b>	Power (Blue) PSU1 and PSU2 (Green) Fault (Red) LAN (Green: Link and Yellow: Activity)
<b>Temperature</b>	Operating: 0°C to 50°C Storage: -20°C to 85°C Humidity: Up to 95% non-condensing
<b>Dimensions</b>	500470: 5U Rack Mountable: 17.7x11x7.5 in (450 x 280 x 189 mm) 500478: 7.9x 4.0x1.6 in (200x100x40mm)
<b>Weight</b>	500470: 18 lb (8 kg) 500478: 4lbs(1.8kg)
<b>Regulatory</b>	FCC, CE, RoHS, WEEE
<b>Safety</b>	CSA (pending)
<b>Warranty</b>	Two (2) years
<b>Order Information</b>	500470 Multimedia 16x16 Matrix Switch with one PSU 500478 500478 Replacement Power Supply Module for 500470

### MuxLab Inc.

8495 Dalton Road, Mount Royal, Quebec, Canada, H4T 1V5  
 Tel: (514) 905 0588 Fax: (514) 905 0589  
 Toll Free: 1 877 689-5228  
 E-mail: videoease@muxlab.com  
 URL: www.muxlab.com

# Multimedia 16x16 Matrix Switch Chassis 500470

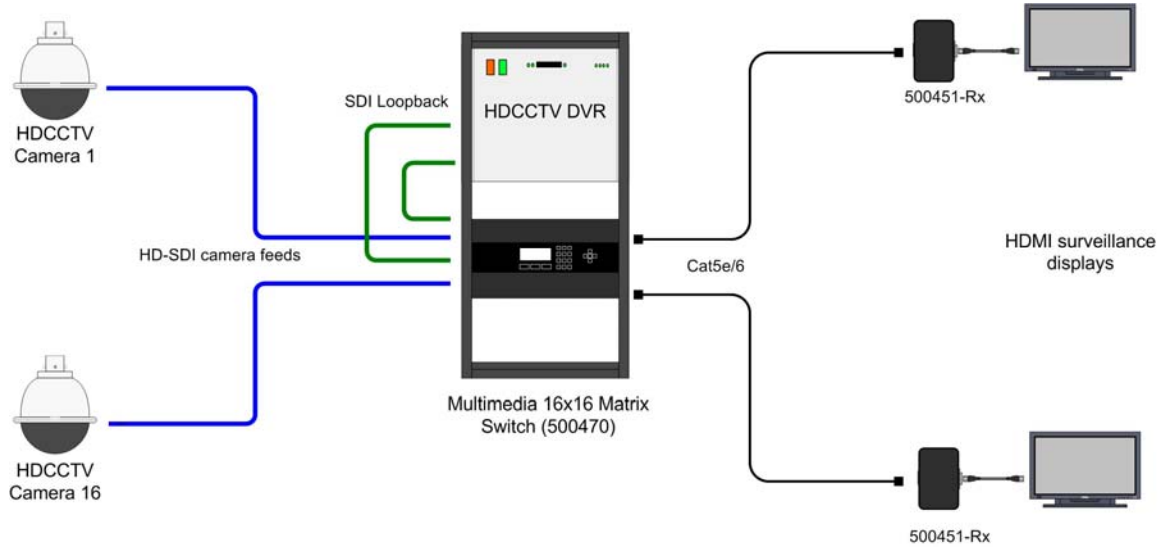
## Typical Applications



**MuxLab Inc.**  
8495 Dalton Road, Mount Royal, Quebec, Canada, H4T 1V5  
Tel: (514) 905 0588 Fax: (514) 905 0589  
Toll Free: 1 877 689-5228  
E-mail: [videoease@muxlab.com](mailto:videoease@muxlab.com)  
URL: [www.muxlab.com](http://www.muxlab.com)

# Multimedia 16x16 Matrix Switch Chassis 500470

## Typical Applications (Cont'd)



Rear panel



Replacement PSU (500478)

### MuxLab Inc.

8495 Dalton Road, Mount Royal, Quebec, Canada, H4T 1V5

Tel: (514) 905 0588 Fax: (514) 905 0589

Toll Free: 1 877 689-5228

E-mail: [videoease@muxlab.com](mailto:videoease@muxlab.com)

URL: [www.muxlab.com](http://www.muxlab.com)