

# Active VGA Managed Dispatcher Hub 500170 [8P], 500171 [16P]

## Overview

The Active VGA Managed Dispatcher Hub (500170/171) distributes one (1) VGA and one (1) stereo audio channel via Cat5e/6 to up to eight (8) or sixteen (16) displays depending on the model. Designed for digital signage applications, the 500170 works in conjunction with the Active VGA Managed Receiver (500174) to support Cat5e/6 cable. Additionally the Active VGA Managed Repeater hub may be cascaded for increased distance. The overall system includes GUI software to allow gain, sharpness and skew to be adjusted at each receiver.

## Applications

Digital signage, boardroom systems, multi-room systems, classroom training, retail systems, electronic billboards, electronic signs, video kiosks, point-of-sale displays, in-store video.

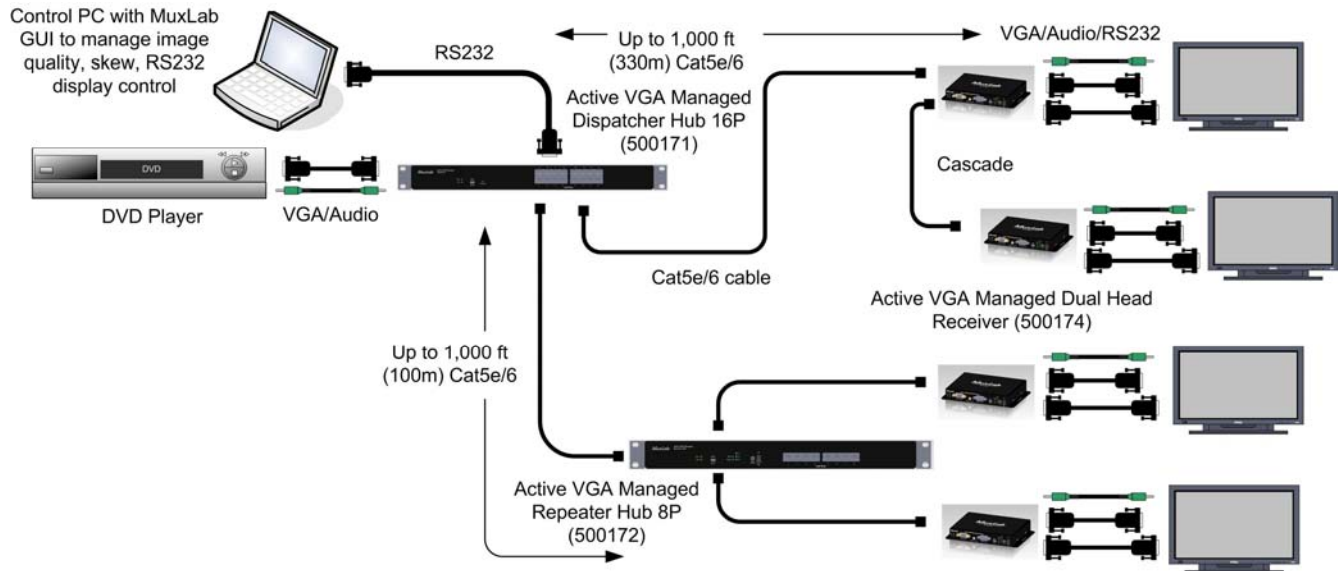


## Features

- Distributes VGA/Audio to up to 8 or 16 displays
- Up to 1,000 ft (305m) via Cat5e/6
- Gain/skew adjustment via manual, RS232, USB
- Cascadable with Active Repeater Hub (500172)
- Works with Active Managed Receivers (500174)
- GUI software controls gain, sharpness, and skew
- Local VGA and audio output

Specifications													
<b>Environment</b>	VGA. Analog stereo audio, RS232												
<b>Devices</b>	PCs, laptops, CRT monitors, LCD monitors, plasma screens, touchscreens												
<b>Transmission</b>	Transparent to the user.												
<b>Maximum Resolution</b>	1080p; 1920 x 1200												
<b>Connectors</b>	FRONT PANEL Maintenance: One (1) Mini USB Link Ports: Eight (8) or Sixteen (16) RJ45S BACK PANEL <i>Local In</i> : RS232 In: One (1) DB9F Audio In: One (1) 3.5 mm stereo jack VGA In: One (1) HD15F <i>Local Out</i> : RS232 Out: One (1) DB9M Audio Out: One (1) 3.5 mm stereo jack VGA Out: One (1) HD15F Power: One (1) power jack												
<b>Maximum Distance</b>	Up to 1920 x 1200 @ 60Hz; 1080P (depending on cable length) Up to 1,000 feet (305 meters) <i>NOTE: STP cables must be used in an electrically noisy environment. Also, cross-connection reduces the effective distance depending on the grade of twisted cable used.</i>												
<b>RJ45 Pin Configuration</b> <i>Reverse Polarity Sensitive</i> Use EIA/TIA 568 A or B, straight-through wiring	<table> <tr> <td>Red:</td> <td>Pin 7 (R)</td> <td>Pin 8 (T)</td> </tr> <tr> <td>Blue:</td> <td>Pin 1 (R)</td> <td>Pin 2 (T)</td> </tr> <tr> <td>Green:</td> <td>Pin 4 (R)</td> <td>Pin 5 (T)</td> </tr> <tr> <td>COM:</td> <td>Pin 3 (R)</td> <td>Pin 6 (T)</td> </tr> </table>	Red:	Pin 7 (R)	Pin 8 (T)	Blue:	Pin 1 (R)	Pin 2 (T)	Green:	Pin 4 (R)	Pin 5 (T)	COM:	Pin 3 (R)	Pin 6 (T)
Red:	Pin 7 (R)	Pin 8 (T)											
Blue:	Pin 1 (R)	Pin 2 (T)											
Green:	Pin 4 (R)	Pin 5 (T)											
COM:	Pin 3 (R)	Pin 6 (T)											
<b>LED Indicators</b>	Sync: One (1) green LED Power: One (1) green LED												
<b>Cable</b>	Cat5e/6 or better unshielded twisted pair cable.												
<b>Power Supply</b>	110-240V/12VDC/1.25A power jacks Removable AC blades included for North America, Continental Europe & UK												
<b>Power Consumption</b>	8W												
<b>Compatible Products</b>	500172, 500174												
<b>Temperature</b>	Operating: 0° to 40° C. Storage: -10° to 70° C. Humidity: up to 95% non-condensing												
<b>Dimensions</b>	1U Rack Mountable Enclosure Dimensions: 17.15" x 4.69" x 1.72" (43.56 cm x 11.91 cm x 4.37 cm)												
<b>Weight</b>	4.8 lb (2.2 kg)												
<b>Regulatory</b>	FCC, CE-EMC Directive 89/336/EE, RoHS, WEEE												
<b>Accessories included</b>	VGA Male-to-Male cable, 6ft (1.5m) for video 3.5mm Male-to-Male cable, 6ft (1.5m) for audio RS232 Male-to-Female cable, 6ft (1.5m) for control												
<b>Warranty</b>	Two (2) years												
<b>Order Information</b>	500170 Active VGA Managed Dispatcher Hub, 8 Ports, 110-240V 500171 Active VGA Managed Dispatcher Hub, 16 Ports, 110-240V												

## Typical Application



Rear panel