

### Overview

The Component Video/Analog Audio Wall Balun (500053-WP-UK) allows one component video (YPbPr or RGB) signal and one Analog Audio signal to be transmitted via one Category 5e/6 twisted pair cable for more cost-efficient cabling.

Used in pairs, or in conjunction with the 500052/500053, the Component Video/Analog Audio Balun supports 480i/p, 720p and 1080i/p video formats for commercial and residential hi-definition (HDTV) video applications.

### Benefits

- More cost efficient cabling
- Quicker moves, adds and changes
- Neater wiring



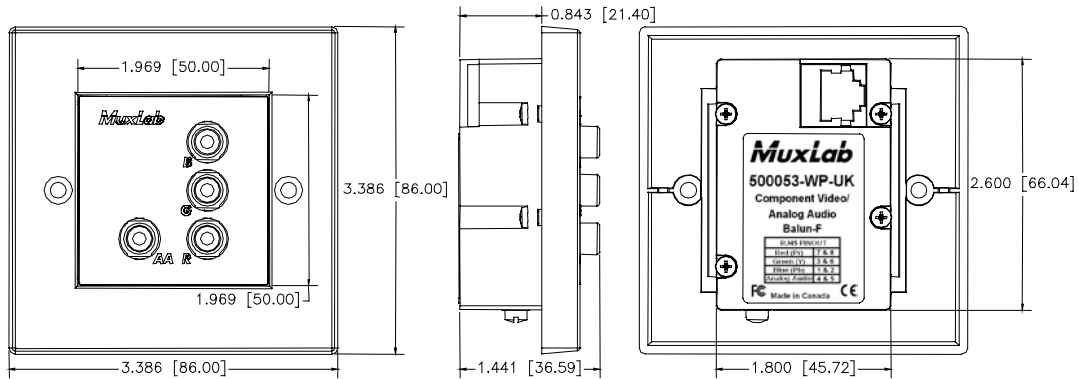
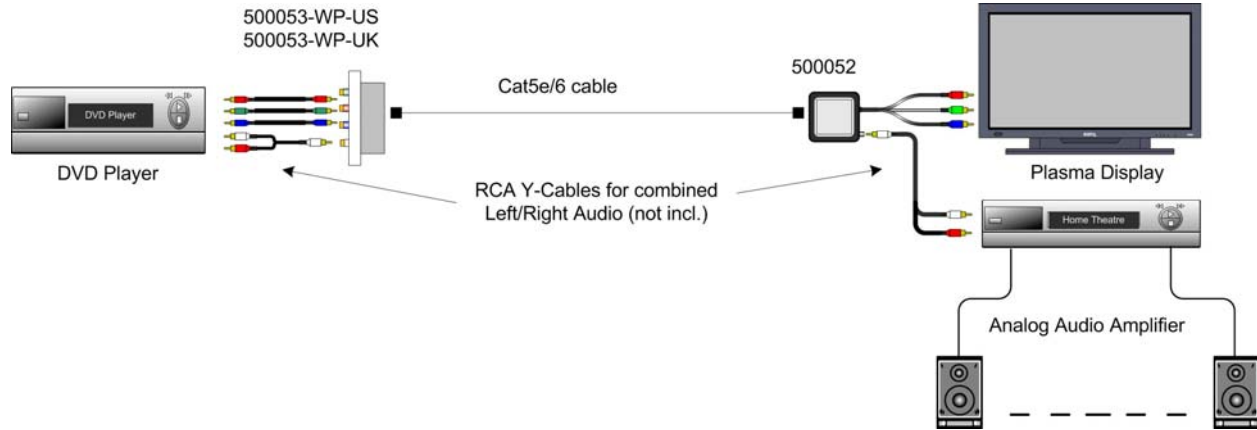
### Features

- Supports 480i/p up to 1,000 ft (305m) via Cat5E/6
- Supports 720p/1080i/p up to 500 ft (152m) via Cat5E/6
- Moulded colour-coded RCA cable leads
- Supports analog audio on fourth twisted pair
- Compatible with 86x86mm back boxes
- Compatible with 50x50mm faceplate opening

Specifications	
<b>Environment</b>	Component Video (YPbPr), RGB Video (sync on green). 480i/p, 720p, 1080i/p. Line level analog audio.
<b>Devices</b>	DVD players, satellite receivers, plasma displays, projectors, monitors, up-converters, amplifiers, switchers, home theatre and other equipment supporting HDTV component video and/or analog audio.
<b>Transmission</b>	Transparent to the user
<b>Bandwidth</b>	Video: 60 MHz, 3 dB roll off Analog audio: 20 Hz to 20 kHz
<b>Maximum Input</b>	1.1 Vp-p
<b>Insertion Loss per Pair (Video)</b>	0.1 dB for 0.1 MHz Gradually increasing to 3.0 dB over the frequency range
<b>Insertion Loss per Pair (Audio)</b>	Less than 2 dB per pair over the frequency range
<b>Return Loss (Video)</b>	Greater than 15 dB over the frequency range
<b>Common Mode Rejection Ratio (Video)</b>	-55 dB max.
<b>Common Mode Rejection Ratio (Audio)</b>	Greater than 60 dB at 1 kHz Greater than 40 dB over the frequency and distance range
<b>Max. Distance Color via Cat 5E/6 UTP/STP Cable</b>	480i/p: 1,000 ft (305 m) 720p and 1080i: 500 ft (152 m) Analog Audio: 3,250 ft (990 m)
<b>Cable: Cat 5E/6 UTP/STP</b>	24 AWG or lower solid copper twisted pair wire Impedance: 100 ohms at 1 MHz Maximum capacitance: 20 pf/ft Attenuation: 6.6 dB/1,000 ft at 1 MHz
<b>Cable: Coax</b>	Impedance: 75 ohms at 1 MHz
<b>Connectors</b>	Three RCA-F connectors: Green (Y), Blue (Pb), Red (Pr) One (1) RCA-F connector for analog audio RJ45S for twisted pair
<b>Pin Configuration</b> <i>Reverse polarity sensitive</i>	Red (Pr): Pins 7(R) & 8(T)    Green (Y): Pins 3(R) & 6(T) Blue (Pb): Pins 1(R) & 2(T)    Analog Audio: Pins 4(R) & 5(T)
<b>Temperature</b>	Operating: 0° to 55°C Storage: -20° to 85°C Humidity: Up to 95% non-condensing
<b>Enclosure</b>	ABS fire retardant plastic, Color white, Finish glossy.
<b>Dimensions</b>	86 mm x 86 mm x 36 mm. Choose 40 mm deep back box to allow for Cat 5E/6 wiring connection.
<b>Weight</b>	4.1 oz (115 g)
<b>Regulatory</b>	FCC, CE, RoHS, European Standard for 86 mm faceplate
<b>Warranty</b>	Lifetime
<b>Order Information</b>	500053-WP-UK Component Video / Analog Audio Wall Balun UPC: 6-27699-91053-5

# Component Video/Analog Audio Wall Balun 500053-WP-UK

## Typical Application



### Head Office

8495 Dalton Road, Mount Royal, Quebec, Canada, H4T 1V5

Tel: 514-905-0588 Fax: 514-905-0589

Toll-free: 877-689-5228

E-mail: [videoease@muxlab.com](mailto:videoease@muxlab.com)

URL: [www.muxlab.com](http://www.muxlab.com)