

Active VGA Balun II Kit (500140, 500141, 500142, 500144)



VGA 1x4 Hub (500150, 500151)



VGA 4x1 Switcher (500160, 500161)



Application Guide

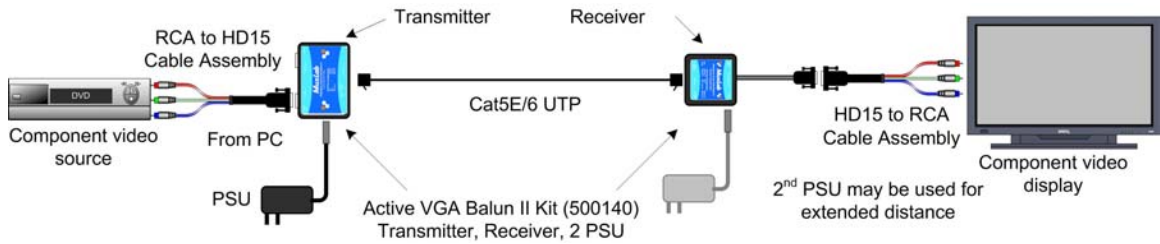
Version 1.01

Aug 2010

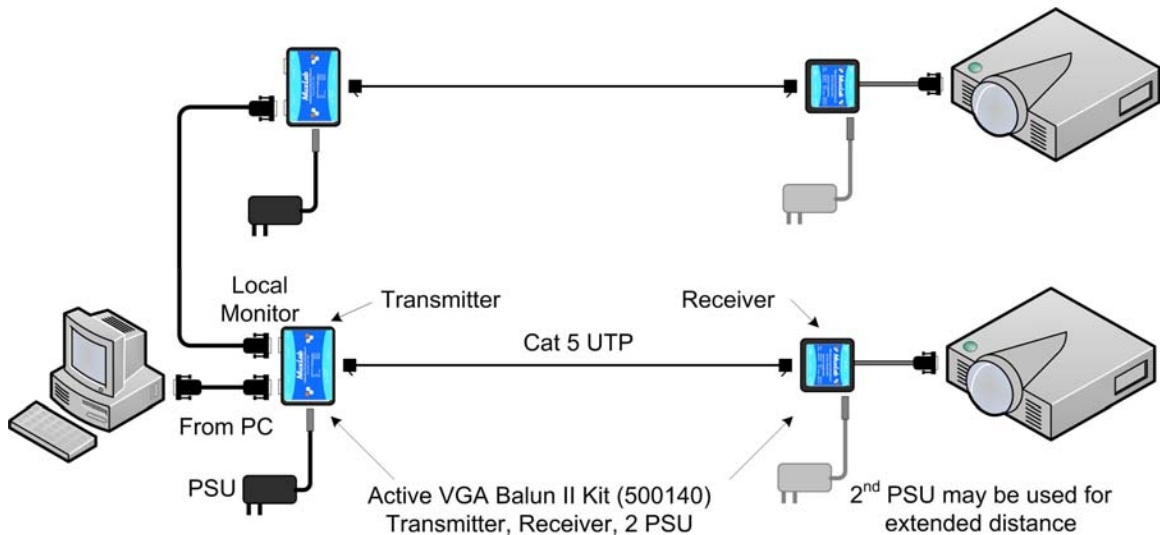
Purpose

The purpose of this document is to provide a set of configuration diagrams that show how the Active VGA Balun II product family may be used.

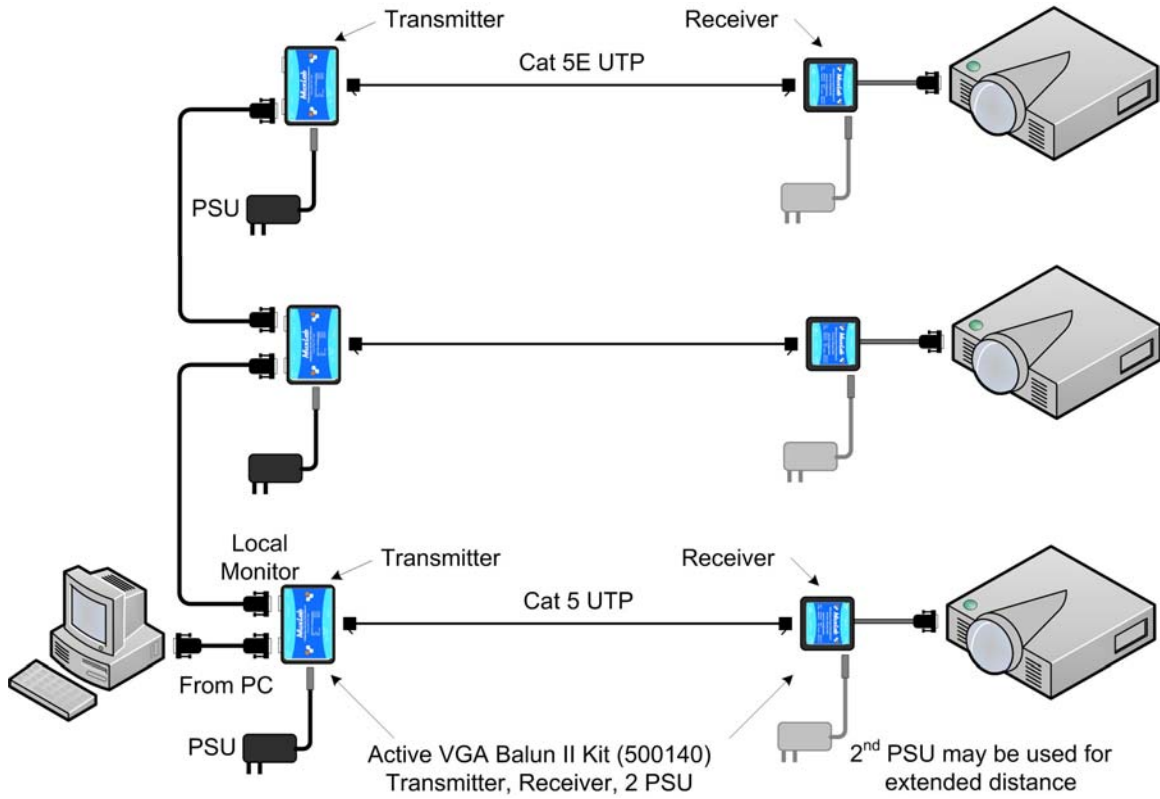
Point-to-Point Component Video Using the 500140



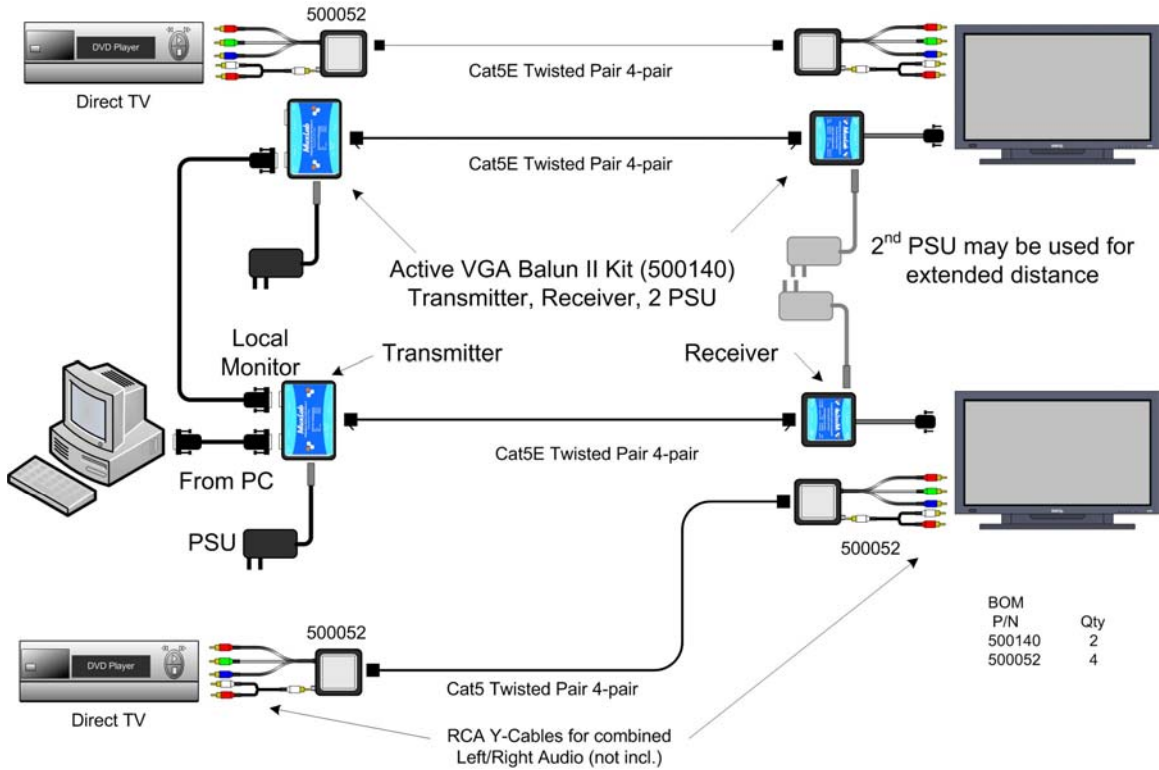
Creating a VGA 1x2 DA by Cascading the 500140



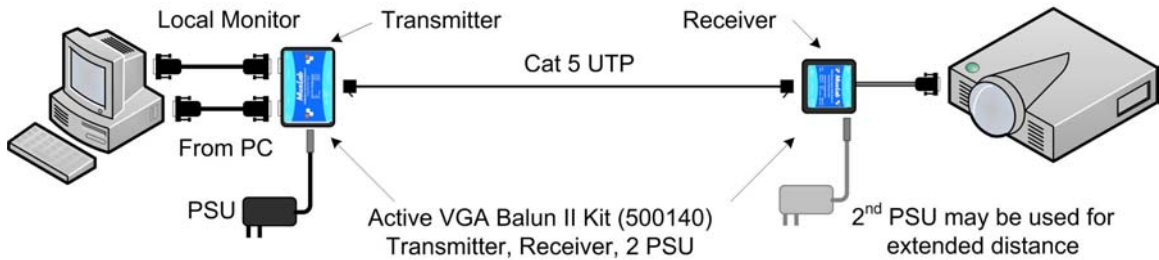
Creating a 1x3 DA by Cascading the 500140



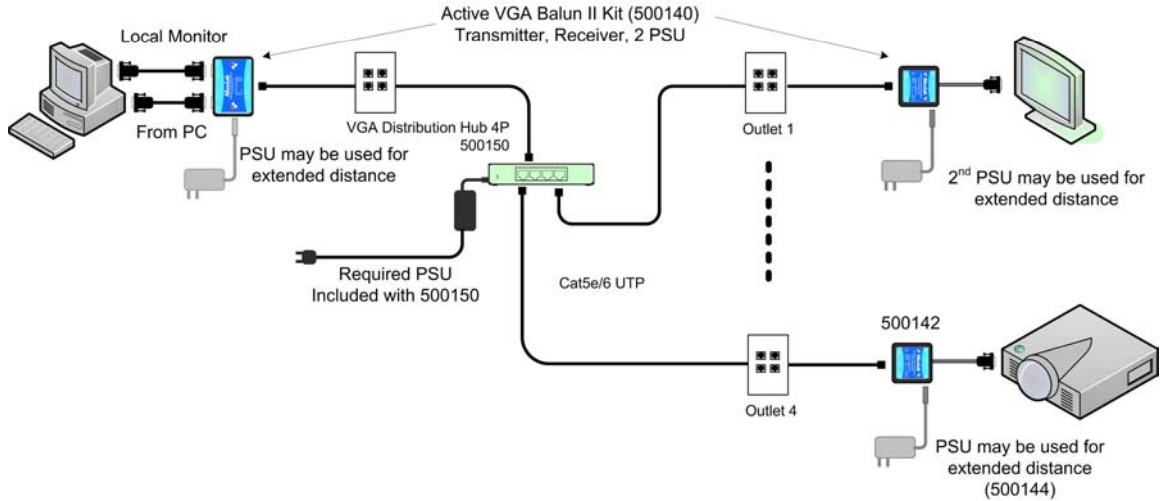
Creating a VGA 1x2 DA plus Separate Audio Feeds



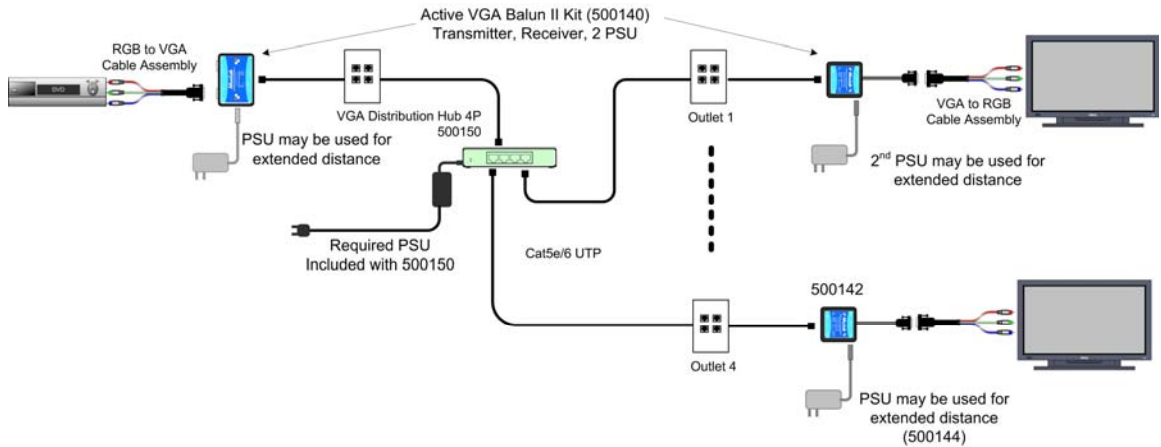
Video Projection with Local Monitor Using the 500140



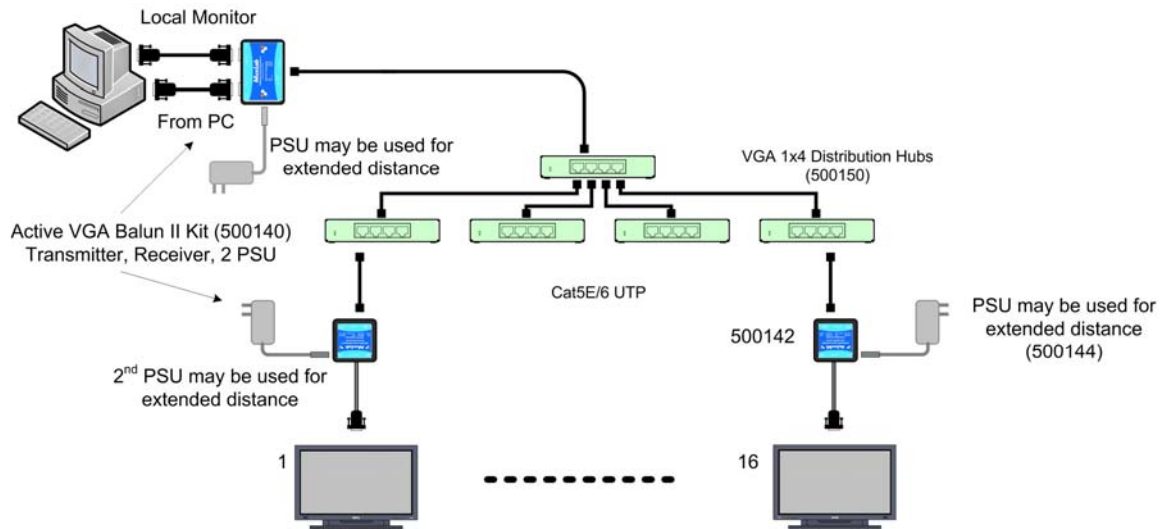
VGA 1x4 DA Using the 500140, 500142 and 500150



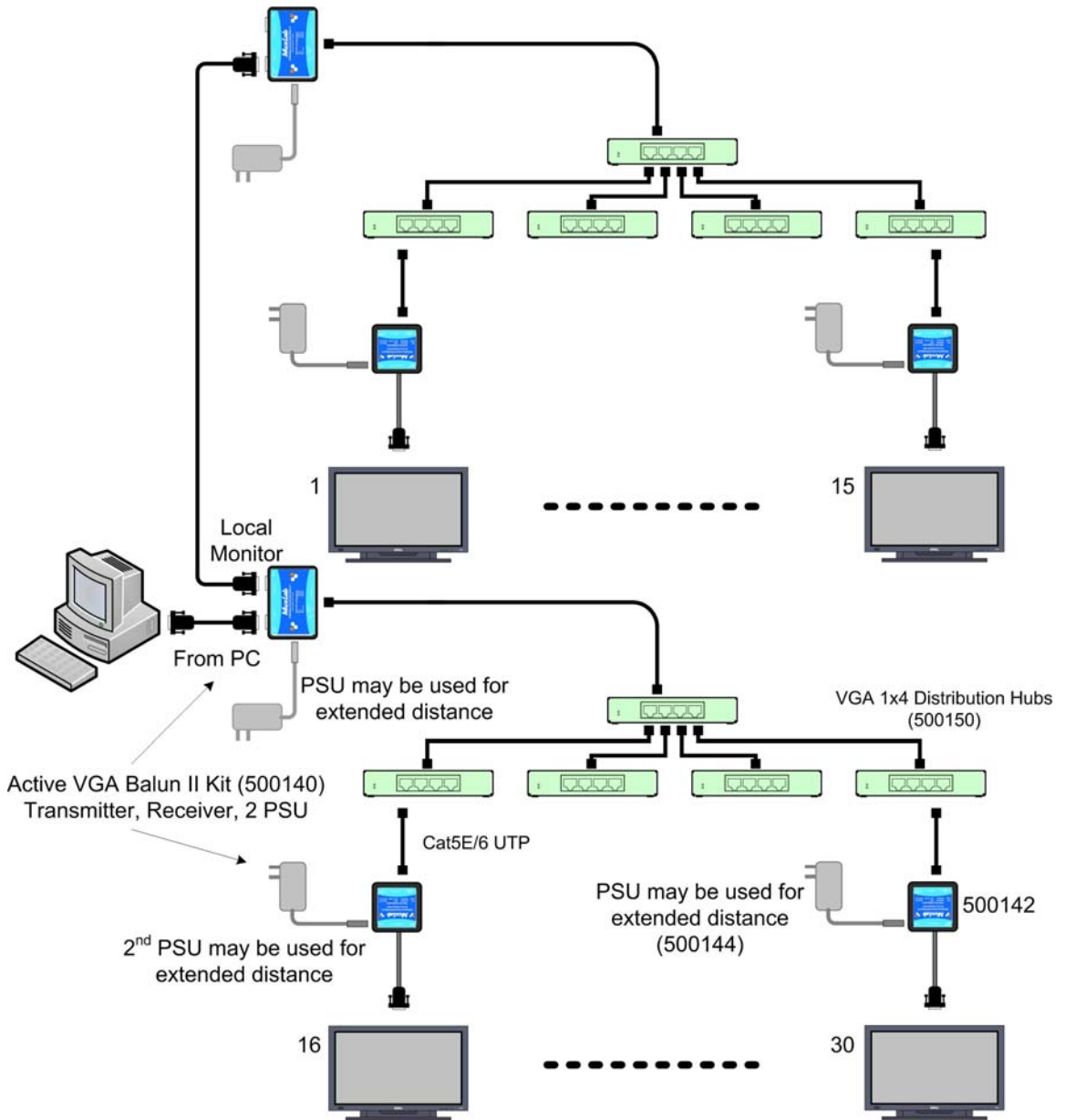
RGB 1x4 DA Using the 500140, 500142 and 500150



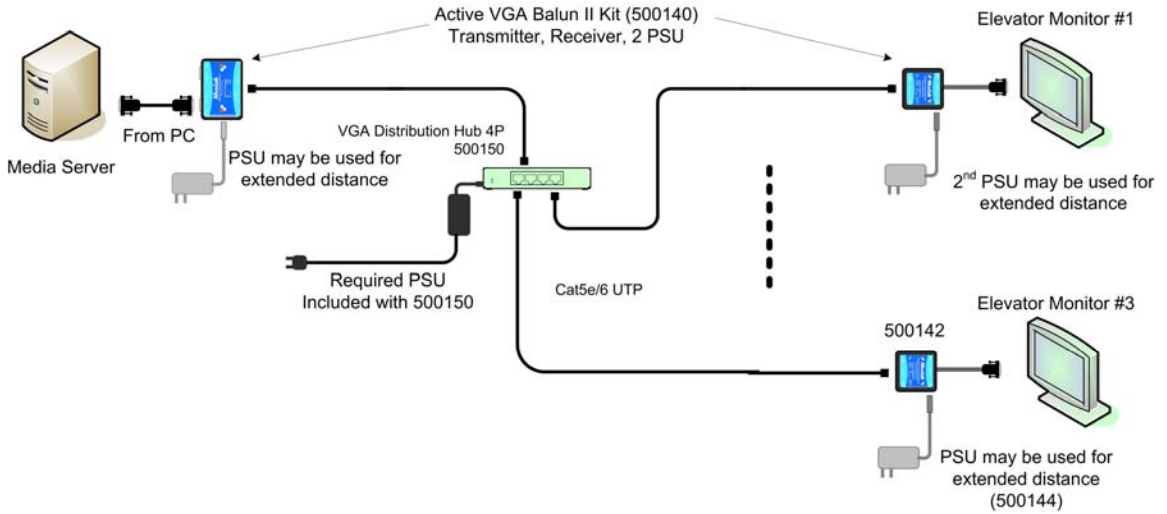
VGA 1x16 Digital Signage by Cascading the 500150



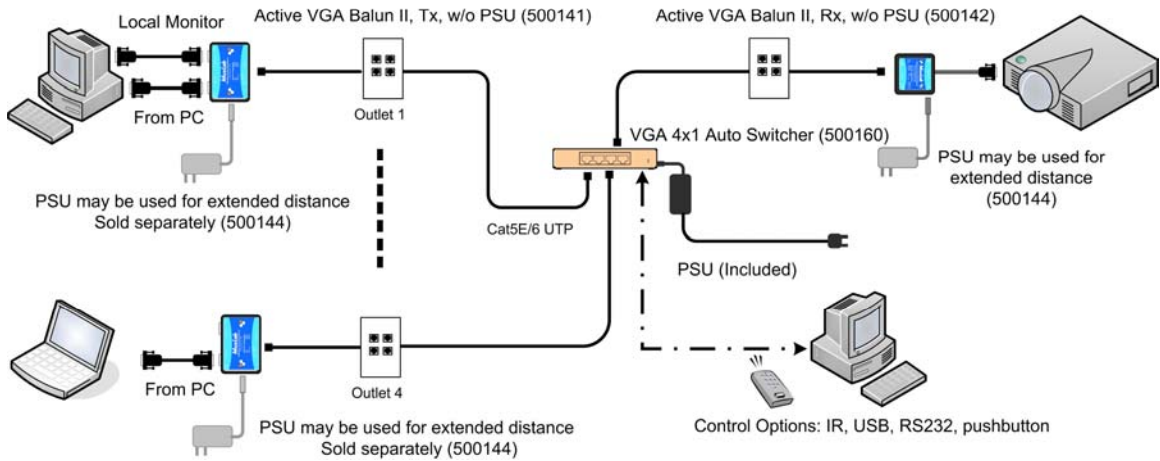
VGA 1x32 DA by Cascading the 500140 and 500150



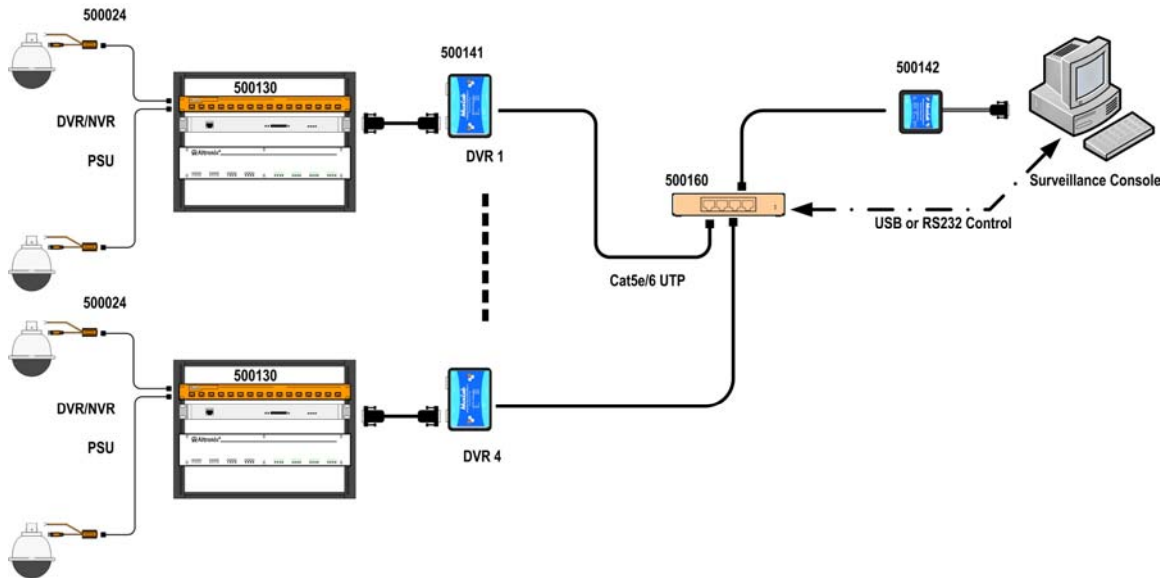
Elevator Video Distribution Using the 500140 and 500150



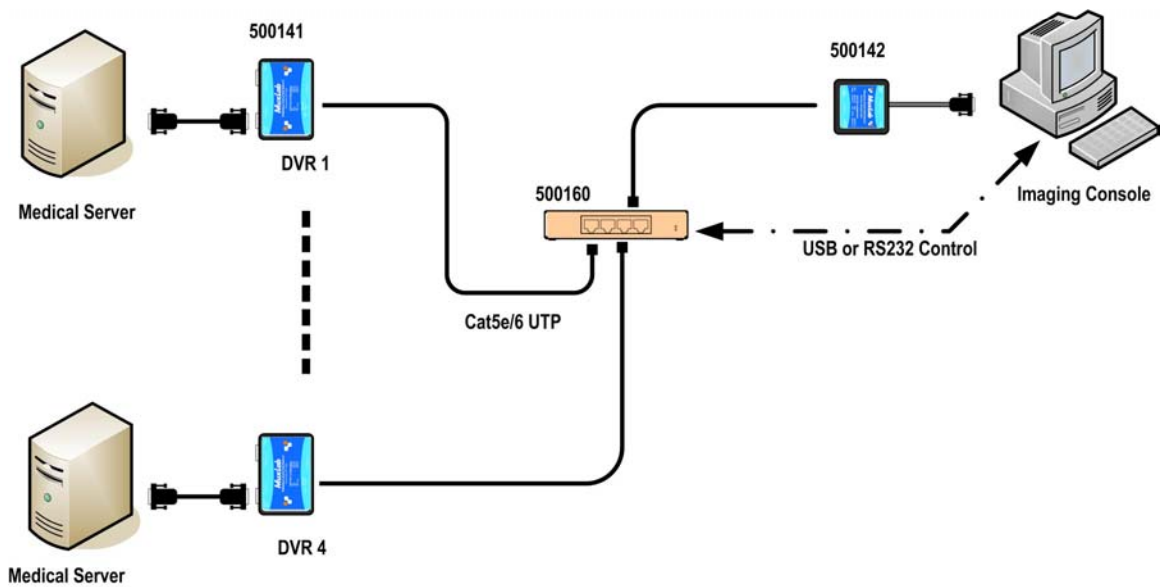
Boardroom Presentation Switching using the 500160



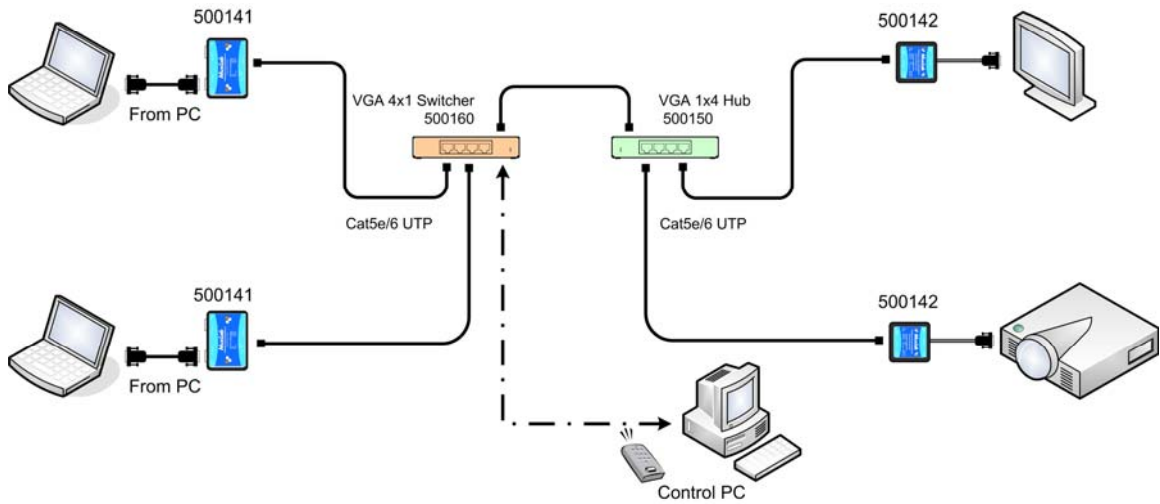
DVR Extension/Switching Using the 500160



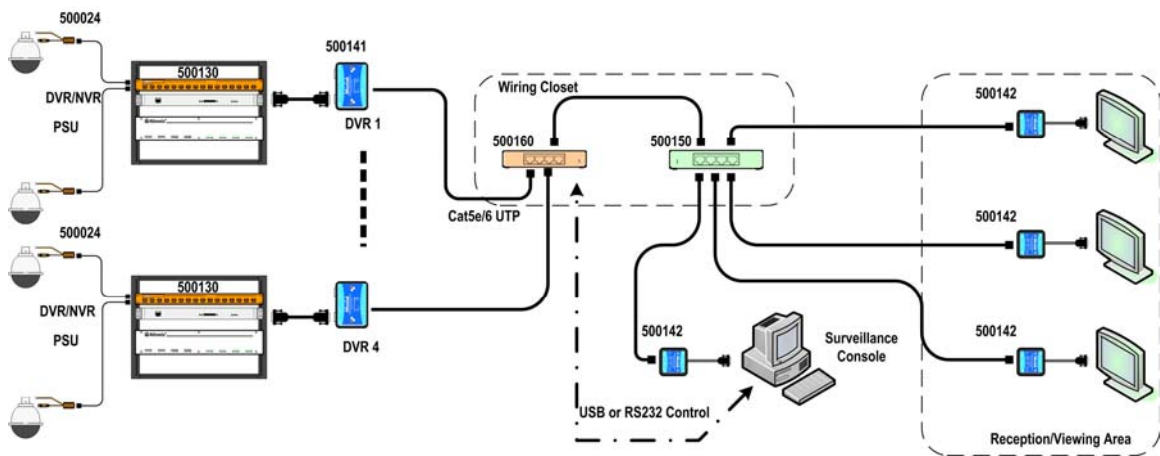
Medical Video Switching Using the 500140 and 500150



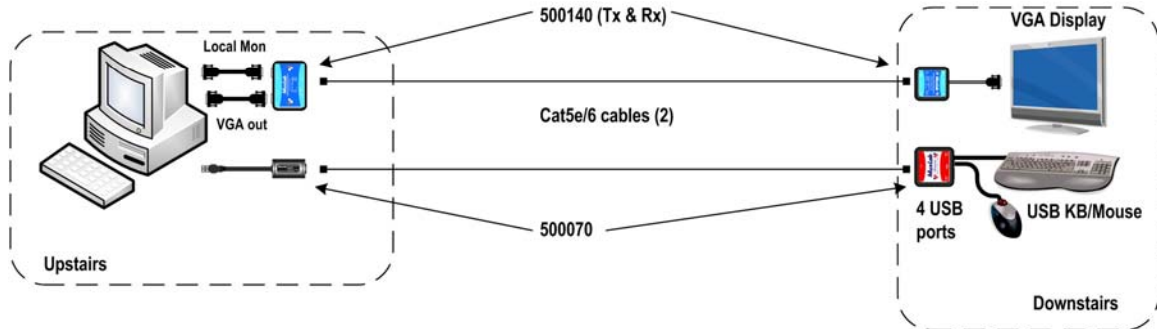
Multi-Display Presentation Switching Using the 500150 and 500160



Multi-Display DVR Extension/Switching Using the 500150 and 500160



KVM-USB Extension (500140 and 500070)



MuxLab Inc.
8495 Dalton Rd.
Montreal (Quebec)
Canada H4T 1V5

Telephone :+1 514-905-0588
Toll-free (North America) :877-689-5228
Fax :+1 514-905-0589
E-mail: videoease@muxlab.com
URL: www.muxlab.com